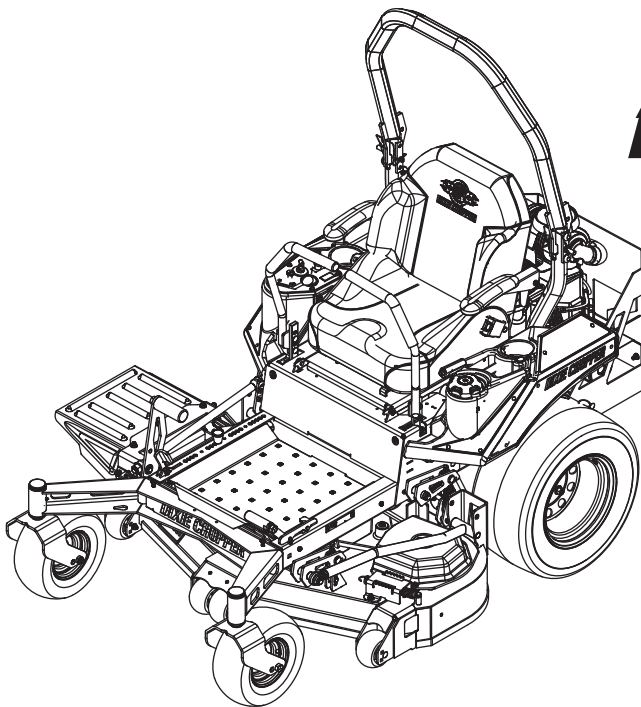




2018 BlackHawk Parts Manual



BLACKHAWK

2248KW

2454KW

2460KW

2554BR

2560BR

BLACKHAWK HP

2248KW

2454KW

2460KW

2548KOE

2554KOE

2560KOE

About This Manual

Congratulations on the purchase of your new Dixie Chopper mower! When operated and maintained as directed, Dixie Chopper is confident that this mower will provide you with years of excellent performance, durability, and trouble free service.

Should you ever have any questions regarding the operation, maintenance, or safety of your mower, please contact your authorized Dixie Chopper dealer who has been specially trained in the operation and service of Dixie Chopper mowers.

Please take time to record the information about your new Dixie Chopper mower in the space below for future reference. Such information may be needed when you contact your authorized Dixie Chopper dealer with questions.

Your Dixie Chopper dealer is the best source for genuine parts and accessories to keep your mower running and cutting its best. The replacement parts found within this manual are available through all authorized dealers.

Illustrations and photographs used in this manual were current as of date of print. Despite this effort, production changes may have occurred after the time of the purchase of your Dixie Chopper; therefore, your unit may vary slightly from what is depicted in this manual.

All information, illustrations, and specifications contained in this manual were in effect at the time of publication. Dixie Chopper reserves the right to change, modify, and/or discontinue specifications and/or design without notice. If there is a change that has been made to your mower which is not shown or reflected in this manual, please see your authorized Dixie Chopper dealer before operating and/or servicing equipment.

Authorized Dealer:

Model #: _____ Engine Model #: _____

Serial #: _____ Engine Serial #: _____

Date purchased: _____

Table of Contents

<i>Topic</i>	<i>Page#</i>
Quick Reference Parts	1-4
Decals.....	5-6
Frame	7-8
Drive Axles.....	9-10
Deck Lift Linkage	11-12
Deck Lift Pedal	13-14
Parking Brake	15-16
Steering Controls.....	17-18
48" Deck	19-20
54" Deck	21-22
60" Deck	23-24
Deck Spindles.....	25-26
OCCD	27-28
Kawasaki Engine	29-30
Kohler Engine	31-32
Fenders	33-34
Seat Pan.....	35-36
Fuel System.....	37-38
BlackHawk Schematic.....	39
BlackHawk HP Non-EFI Schematic.....	40
BlackHawk HP EFI Schematic	41
General Bolt Torque Specifications	42
Index.....	43-45

Quick Reference Parts

BlackHawk with 22HP (FS651V) and 24HP (FS730V) Kawasaki Engine	2248KW	2454KW	2460KW
Spark Plug	902453		
Air Filter Outer	11013-7046 (Order from Kawasaki Dealer)		
Air Filter Inner	11013-0752 (Order from Kawasaki Dealer)		
Fuel Filter	49019-0014 (Order from Kawasaki Dealer)		
Oil Filter	49065-7007 (Order from Kawasaki Dealer)		
Engine Oil (Case of 12 Quarts)	See Engine Manual		
Drive System Oil	903452 - Fluid - Oil, HT-1000, Dixie, 3 x 1 Gallon		
Drive System Filter	903418		
Drive System Belt	4354028		
LH Drive Axle	4350232		
RH Drive Axle	4350231		
Blade Standard X (Factory Equipped)	30227-50X	301245	30227-60X
Blade Twist	30227-50T	301245T	30227-60T
Engine to Deck Belt	4353467	4353468	4350706
Anti-Scalp Roller	300365		
Complete Spindle Assembly	4356567		
Seat	4357427		
Fuel Cap	400886		
Throttle Cable Assembly	401590		
Choke Cable Assembly	600072		
Front Tire Assembly	Tire - DUP-400338 Rim - 400956 Outer Bearing - 10205 Inner Bearing - 67205 Bearing Spacer - 900342 Assembly DUP-400438		
Rear Tire Assembly	Tire - 401885 Rim - 400871 Assembly 401886		

Quick Reference Parts

BlackHawk with 25H Stratton Engine	2554BR	2560BR
Spark Plug	900735	
Air Filter Primary	902891	
Air Filter Secondary	N/A	
Fuel Filter	900803	
Oil Filter	902506	
Engine Oil (Case of 12 Quarts)	See Engine Manual	
Drive System Oil	903452 - Fluid - Oil, HT-1000, Dixie, 3 x 1 Gallon	
Drive System Filter	903418	
Drive System Belt	4354028	
LH Drive Axle	4350232	
RH Drive Axle	4350231	
Blade Standard X (Factory Equipped)	301245	30227-60X
Blade Twist	301245T	30227-60T
Engine to Deck Belt	4353468	4350706
Anti-Scalp Roller	300365	
Complete Spindle Assembly	4356567	
Seat	4357427	
Fuel Cap	400886	
Throttle Cable Assembly	401590	
Choke Cable Assembly	600072	
Front Tire Assembly	Tire - DUP-400338 Rim - 400956 Outer Bearing - 10205 Inner Bearing - 67205 Bearing Spacer - 900342 Assembly DUP-400438	
Rear Tire Assembly	Tire - 401885 Rim - 400871 Assembly 401886	

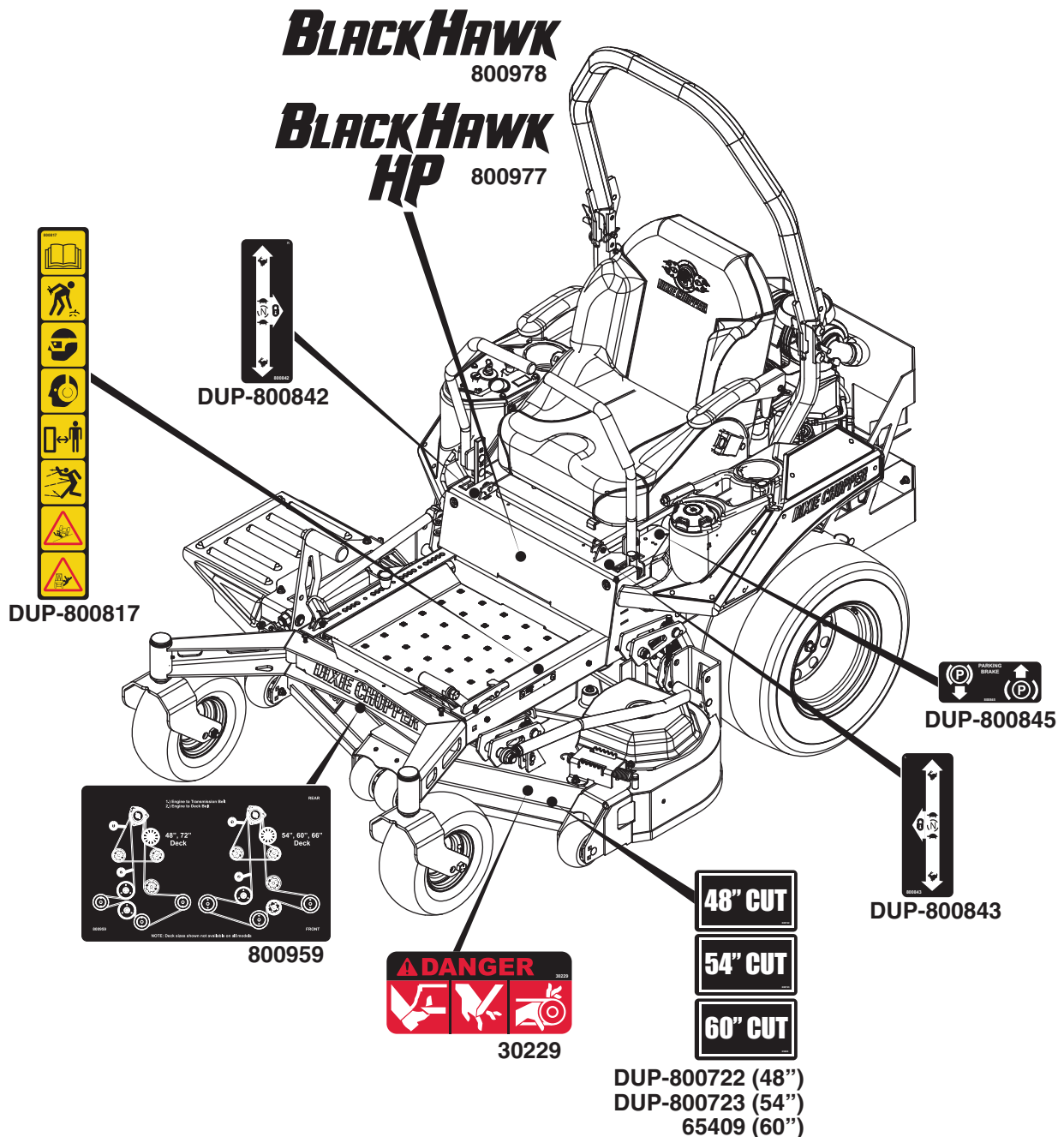
Quick Reference Parts

BlackHawk HP with 22HP (FX691V) and 24HP (FX730V) Kawasaki Engine	2248KW	2454KW	2460KW
Spark Plug	902453		
Air Filter Outer	11013-7044 (Order from Kawasaki Dealer)		
Air Filter Inner	11013-0745 (Order from Kawasaki Dealer)		
Fuel Filter	49019-0014 (Order from Kawasaki Dealer)		
Oil Filter	49065-7007 (Order from Kawasaki Dealer)		
Engine Oil (Case of 12 Quarts)	See Engine Manual		
Drive System Oil	903452 - Fluid - Oil, HT-1000, Dixie, 3 x 1 Gallon		
Drive System Filter	903418		
Drive System Belt	4354028		
LH Drive Axle	4354769		
RH Drive Axle	4354768		
Blade Standard X (Factory Equipped)	30227-50X	301245	30227-60X
Blade Twist	30227-50T	301245T	30227-60T
Engine to Deck Belt	4353467	4353468	4350706
Anti-Scalp Roller	300365		
Complete Spindle Assembly	4356567		
Seat	4364126		
Fuel Cap	400886		
Throttle Cable Assembly	401590		
Choke Cable Assembly	600072		
Front Tire Assembly	Tire - DUP-400338 Rim - 400956 Outer Bearing - 10205 Inner Bearing - 67205 Bearing Spacer - 900342 Assembly DUP-400438		
Rear Tire Assembly	Tire - 401885 Rim - 400871 Assembly 401886		

Quick Reference

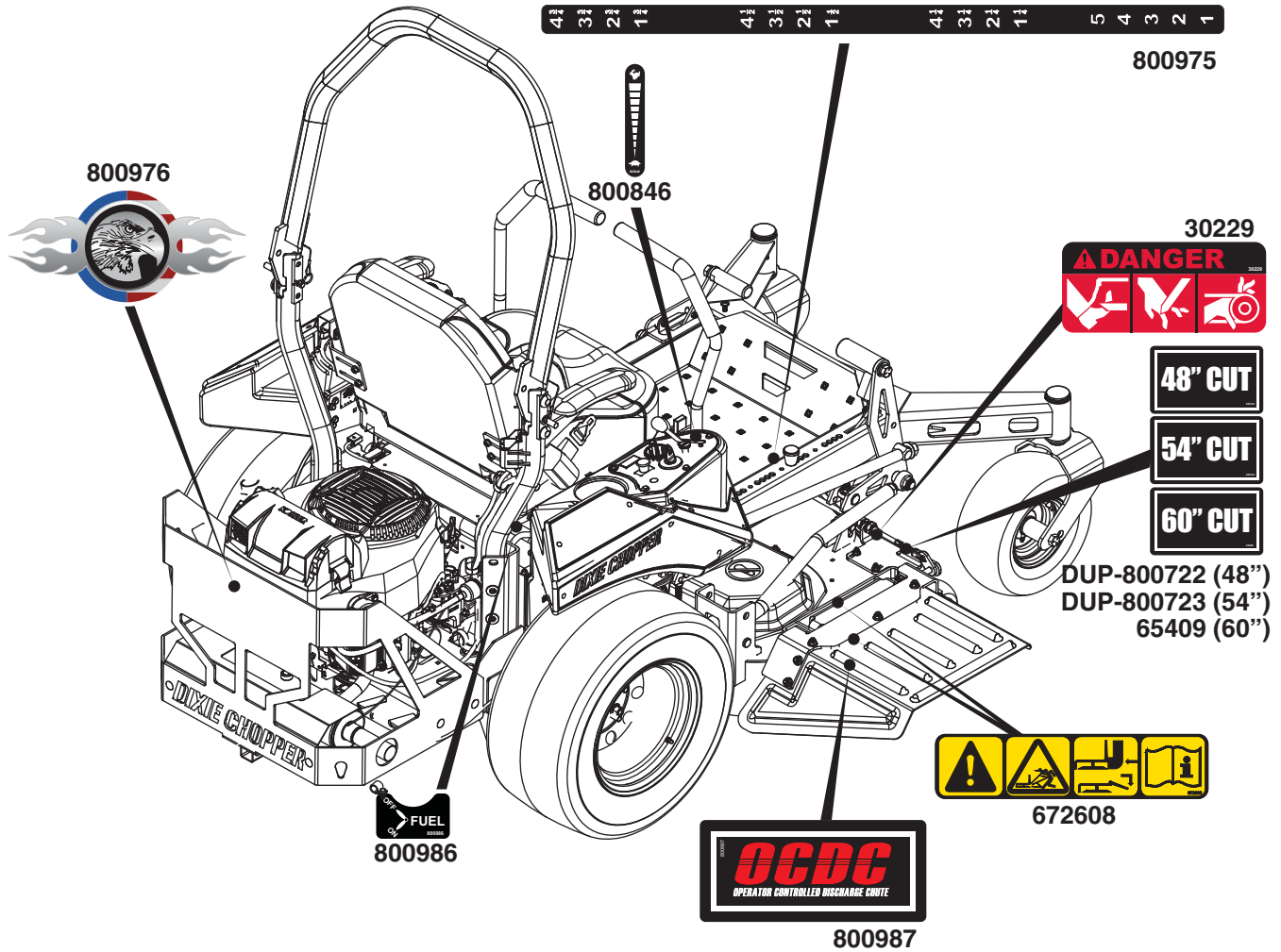
BlackHawk HP with 25 Kohler EFI Engine	2548KOE	2548KOE -CA	2554KOE	2554KOE -CA	2560KOE	2560KOE -CA
Spark Plug	902951					
Air Filter Primary	901392					
Air Filter Secondary	901395					
Fuel Filter	901246					
Oil Filter	901513					
Engine Oil (Case of 12 Quarts)	See Engine Manual					
Drive System Oil	903452 - Fluid - Oil, HT-1000, Dixie, 3 x 1 Gallon					
Drive System Filter	903418					
Drive System Belt	4354028					
LH Drive Axle	4354769					
RH Drive Axle	4354768					
Blade Standard X (Factory Equipped)	30227-50X		301245		30227-60X	
Blade Twist	30227-50T		301245T		30227-60T	
Engine to Deck Belt	4353467		4353468		4350706	
Anti-Scalp Roller	300365					
Complete Spindle Assembly	4356567					
Seat	4364126					
Fuel Cap	400886					
Throttle Cable Assembly	401590					
Charcoal Canister	N/A	4221120	N/A	4221120	N/A	4221120
Front Tire Assembly	Tire - DUP-400338 Rim - 400956 Outer Bearing - 10205 Inner Bearing - 67205 Bearing Spacer - 900342 Assembly DUP-400438					
Rear Tire Assembly	Tire - 401885 Rim - 400871 Assembly 401886					

Decals

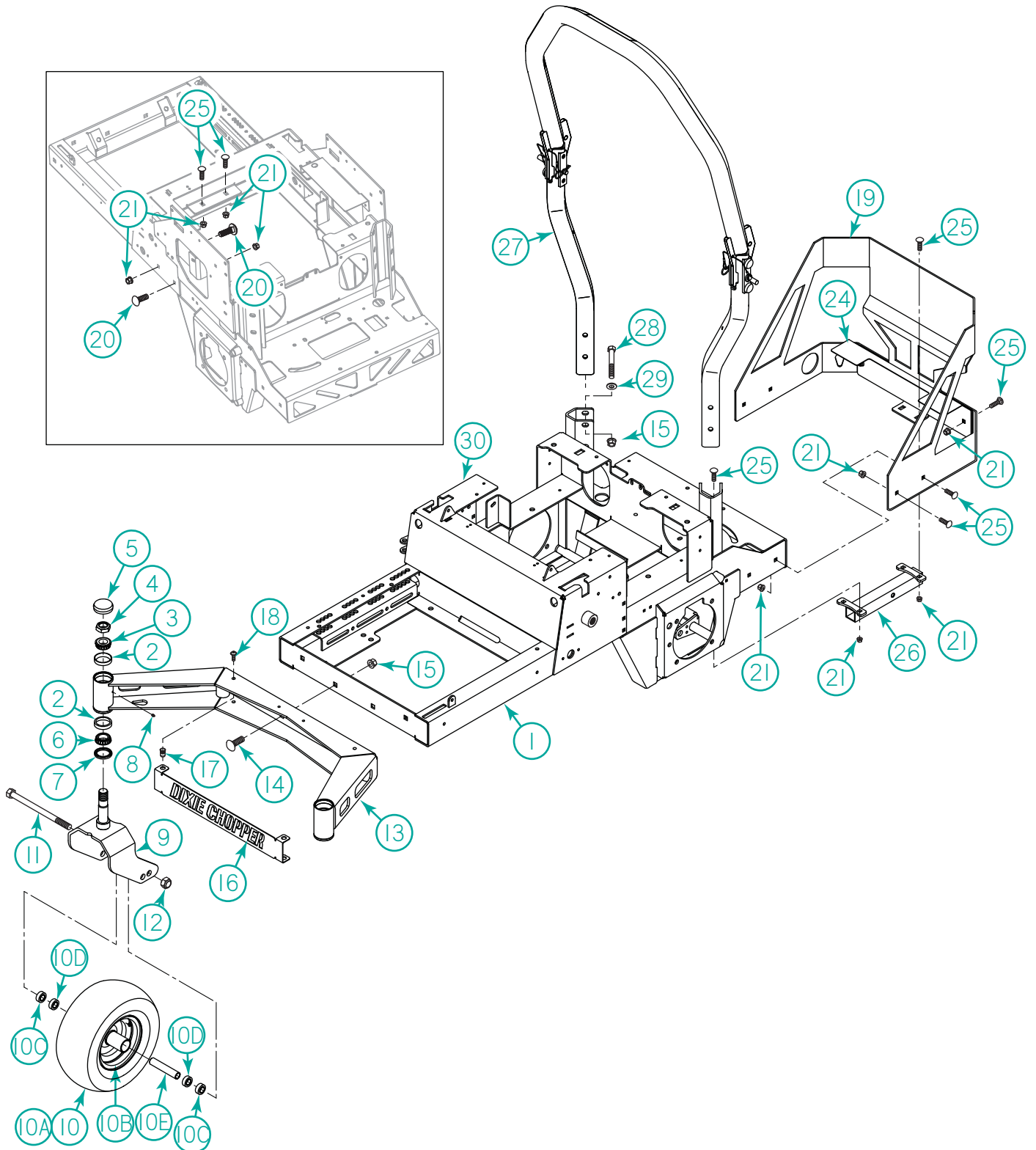


Part No.	Description
4383106	Decal Kit
4389727	Deck Decal Kit
DUP-800722	Decal - 48" Cut
DUP-800723	Decal - 54" Cut
65409	Decal - 60" Cut
800987	Decal - OCDC
800976	Decal - Engine Guard
800978	Decal - BlackHawk (BlackHawk Models)
800977	Decal - BlackHawk HP (BlackHawk HP Models)

Decals



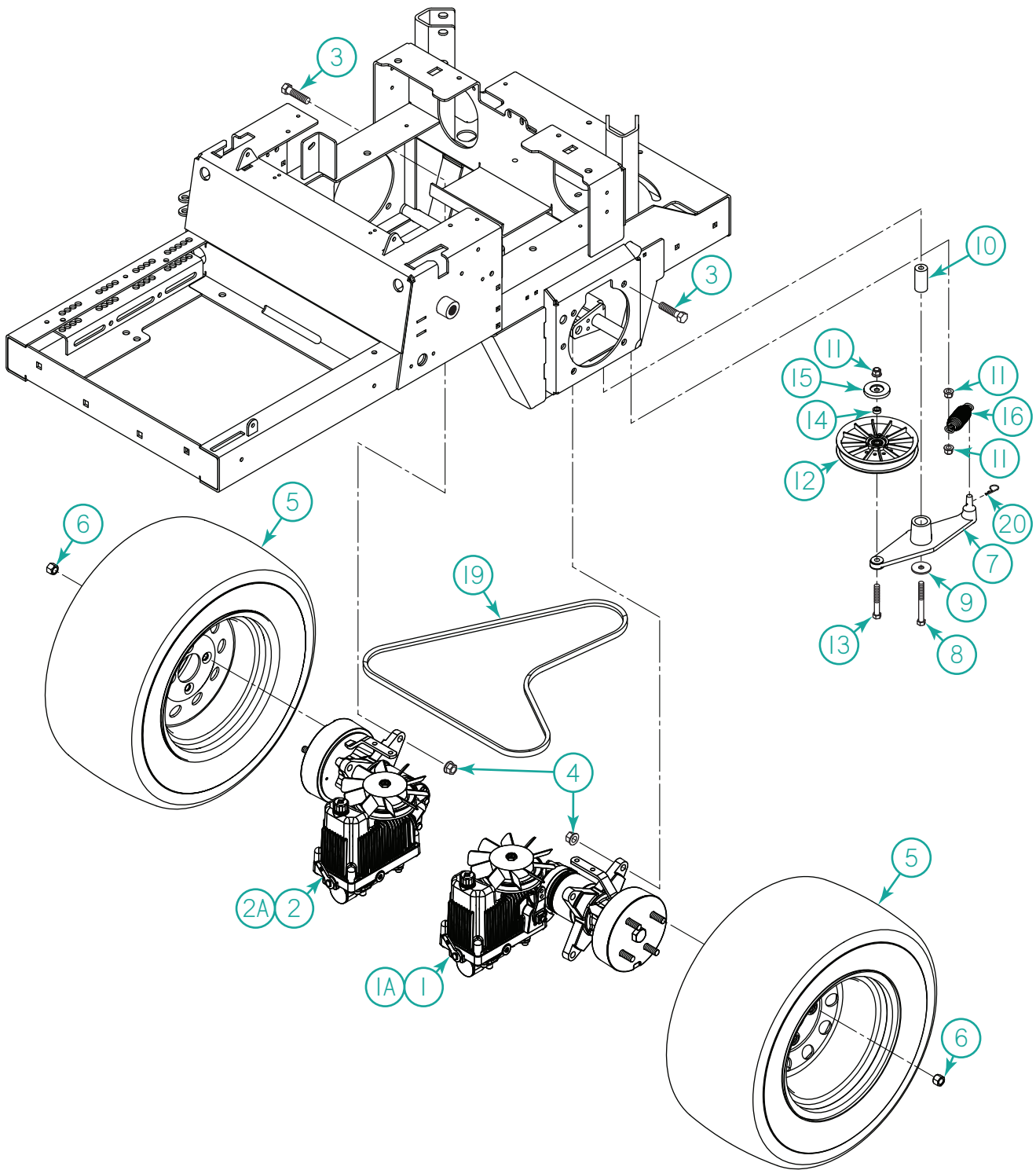
Frame



Frame

Item	Part No.	Description	Qty.
1	676197	G/D Kit-Frame Weldment	1
2	10206	Bearing, Race Front Fork	4
3	10207	Bearing, Upper Front Fork	2
4	N-183	Nut, 1-14 Nyloc Jam	2
5	401410	Cap, Dust Front Fork	2
6	97171	Bearing, Bottom	2
7	10208	Seal, Front Fork	2
8	F-100	Fitting, 3/16 Drive-In Grease	2
9	DUP-101016	Weldment-Fork, Black	2
10	DUP-400438	Assembly, Wheel Front	2
10A	DUP-400338	Tire-13 x 6.5-6 Motorcycle Tread	2
10B	400956	Rim 6 x 3.5, No Offset	2
10C	10205	Bearing, Outer	4
10D	67205	Bearing, Inner	4
10E	900342	Spacer, Wheel Inner M/C Narrow	5
11	B-122	Bolt, 5/8-7-1/2 HHCS PT Gr.5, Clear Zinc	2
12	N-156	Nut, 5/8-11 Nyloc Jam Gr.A, Clear Zinc	2
13	4356172.25	Weld-Front Frame Rail, Black	1
14	B-353	Bolt - 1/2-13 x 1-1/4 Carr Gr.8, Clear Zinc	4
15	N-223	Nut, 1/2-13 Flange Top Lock Gr.G, Clear Zinc	8
16	4421365	G/D Kit-Front Rail Insert	1
17	N-153	Nut, 5/16-18 Netsert (.150 - .321), Yellow Zinc	4
18	B-338	Bolt, 5/16-18 x 3/4" SHCS Button Flange SS	4
19	4399232.25	Bracket - Upper Crash Guard	1
20	B-136	Bolt - 3/8-16 x 1-1/4" CARR FT Gr.5, Clear Zinc	4
21	N-216	Nut - 3/8-16 Flange Nyloc, Gr A Clear Zinc	12
22			
23			
24	4399354	Bracket - Muffler Guard	1
25	B-135	Bolt - 3/8-16 x 1 CARR FT Gr.5, Clear Zinc	12
26	4358326.52	Weld - Hitch Receiver, E-Coat	1
27	4356174.25	ASM - Roll Bar, Black	1
28	B-348	Bolt - 1/2-13 x 3-1/4 HHCS PT Gr.5, Clear Zinc	4
29	W-197	Washer - .530 x 1.094 x .075 Flat, Clear Zinc	4
30	4420516.25	Weld-Control Box, Black	1

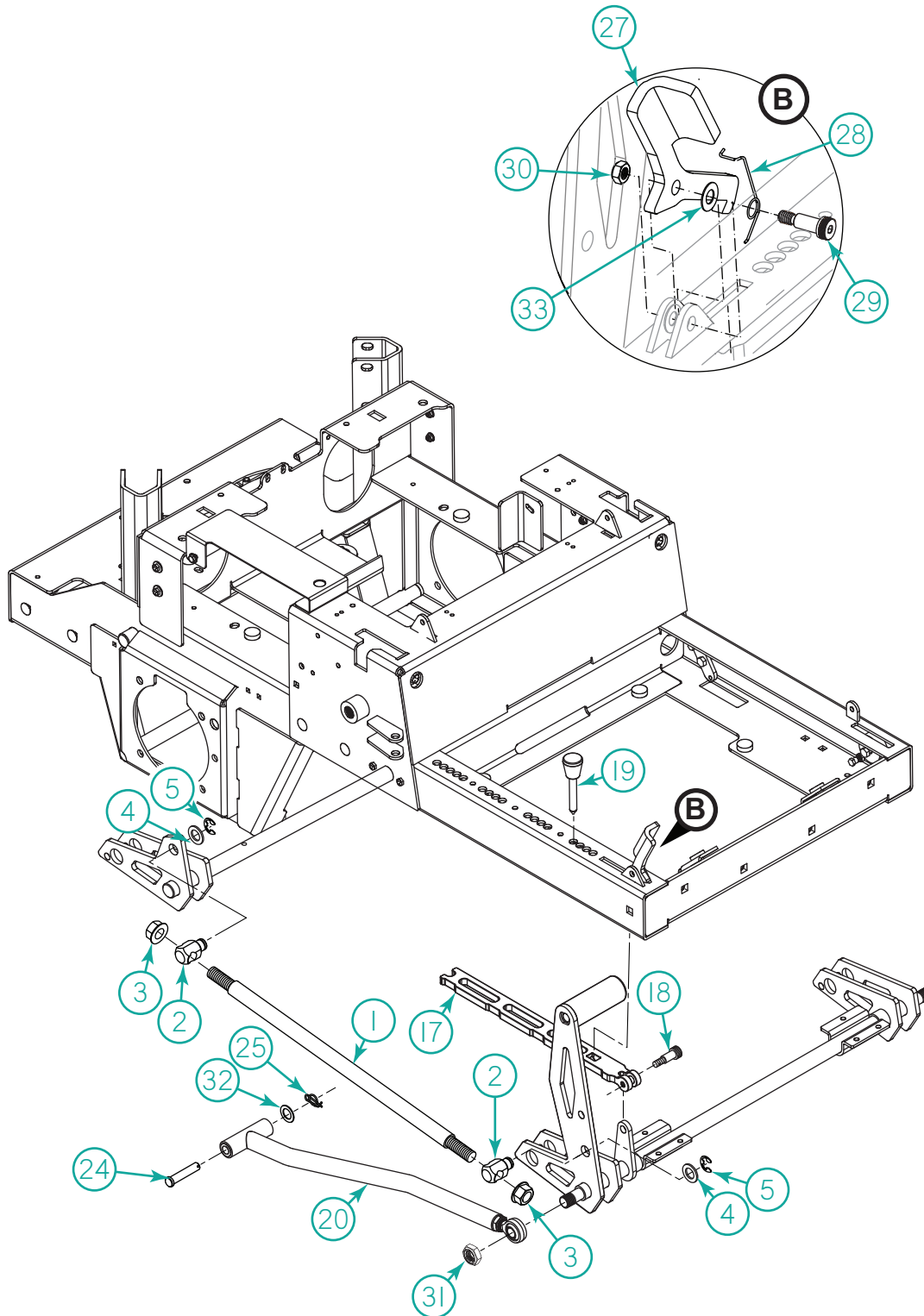
Drive Axles



Drive Axles

Item	Part No.	Description	Qty.
1	4379219	Transmission - HTE LH (BlackHawk Models)	1
1A	4354769	Transmission - HTJ LH (BlackHawk HP Models)	1
2	4379220	Transmission - HTE RH (BlackHawk Models)	1
2A	4354768	Transmission - HTJ RH (BlackHawk HP Models)	1
3	B-139	Bolt - 1/2-13 x 1-3/4 HHCS FT Gr.5 Clear Zinc	8
4	N-223	Nut - 1/2-13 Flange Top Lock, Gr.G, Clear Zinc	8
5	401886	ASM - Complete Rear Wheel, 23 x 10.50-12, Turf Tread	2
5A	400871	Tire - 23 x 10.5-12 Turf Tread	2
5B	401885	Asm - Rim, 12 x 8.5, -1" Offset	2
6	N-113	Nut, 1/2-20 Wheel Lug Gr.A, Clear Zinc	8
7	4356107.51	Idler Arm - Transmission, Anodize	1
8	B-140	Bolt - 3/8-16 x 3 HHCS PT Gr.5, Clear Zinc	1
9	W-106	Washer - 3/8 x 1-1/2 x .072 Flat Fender Thick, Clear Zinc	1
10	301001	Tube - .406 ID x 1.00 OD x 2.031 L, Clear Zinc	1
11	N-216	Nut - 3/8-16 Flange Nyloc, Gr A Clear Zinc	2
12	4356106	Pulley - Flat Idler, 6"	1
13	B-294	Bolt - 3/8-16 x 2-1/4 HHCS FT Gr.5, Clear Zinc	1
14	4363566.50	Spacer - .625 OD x .385 ID x .235 L, Clear Zinc	1
15	300898	Cap - Pulley Bearing Cover, Clear Zinc	1
16	4420995	Spring - Ext., 11.888 LB/In, 1.25 OD, 4.500 FLIH, 2S, Clear Zinc	1
17			
18			
19	4354028	Belt - A-Section, Raw Edge Cog, 66.452 EL	1
20	P-151	Pin - .093 x 2 Cotter, Clear Zinc	1

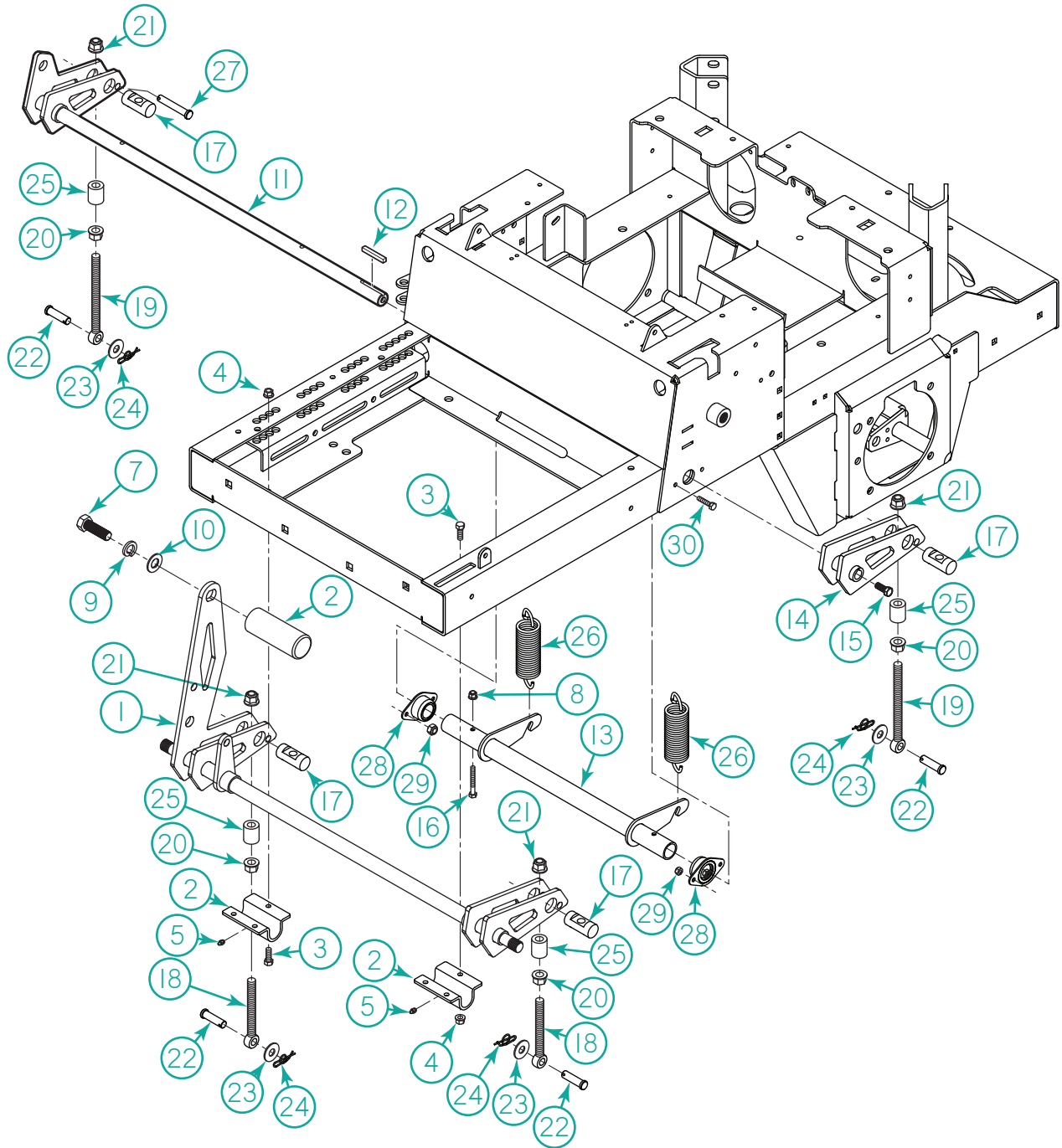
Deck Lift Linkage



Deck Lift Linkage

Item	Part No.	Description	Qty.
1	4360226.50	Rod - Deck Lift Connecting Rod, Clear Zinc	1
2	300031	Trunnion - 3/4-10 x 1-1/8" Hex Clear Zinc	2
3	N-238	Nut - 3/4-16 Flange Spiral, Gr.8, Clear Zinc	2
4	W-167	Washer, 3/4 x 1-1/4 x .085 Flat, Clear Zinc	2
5	C-116	Clip - 3/4 Side-Mount External Retaining	2
6			
7			
8			
9			
10			
11			
12			
13			
14			
15			
16			
17	4381767	Deck Height Control Link, Clear Zinc	1
18	B-438	Bolt - 3/8-16 x 3/4 x 1/2 Shoulder, Nylon Thread Locking, Gr.5, Clear Zinc	1
19	4421071	Pin - 1/2" x 3.13" Magnetic Selector, Black Knob, Clear Zinc	1
20	4391226	Weld - Deck Stabilizer	2
21			
22			
23			
24	P-109	Pin - 5/8 x 5 Pin42 Vac Clevis, Clear Zinc	2
25	C-128	Clip - 5/8 x 1-3/4 Locking Cotter, Clear Zinc	2
26			
27	4394769.50	Bracket - Travel Lock Hook, Clear Zinc	1
28	4395761	Spring - Torsion, .0686 Lb/In, .556 OD, 89 deg, LH, Clear Zinc	1
29	B-369	Bolt - 3/8 x 3/4 Shoulder SHCS 5/16-18 Alloy Steel, ZNCoat	1
30	N-144	Nut - 5/16-18 Nylon Jam Gr.A, Clear Zinc	1
31	N-197	Nut - 3/4-10 Nylon Jam Gr.A, Clear Zinc	1
32	W-119	Washer - 5/8 ID x 1 OD Fla Machine, Clear Zinc	2
33	W-216	Washer - 3/8 x 3/4 x .030 Flat, Nylon	2

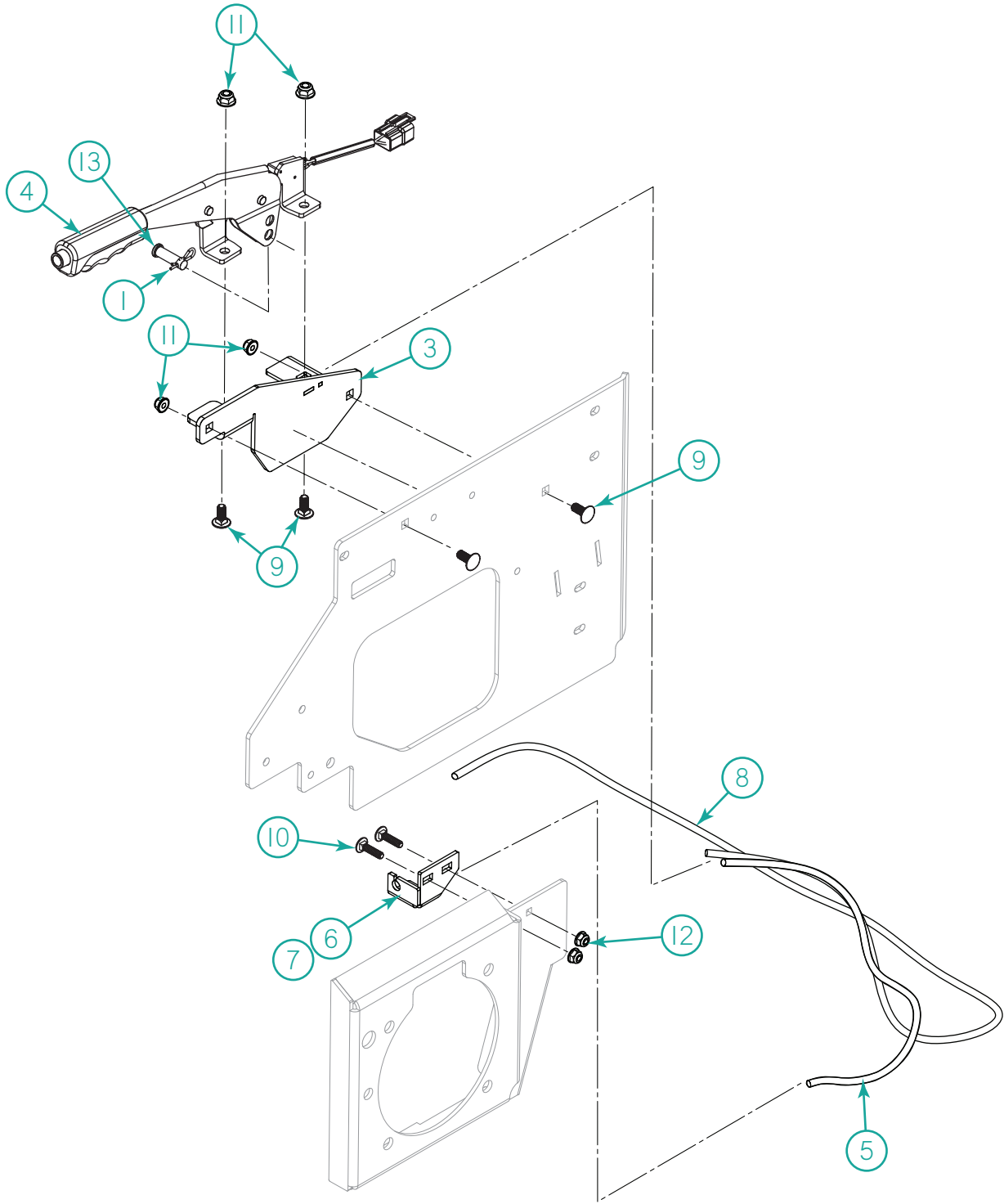
Deck Lift Pedal



Deck Lift Pedal

Item	Part No.	Description	Qty.
1	4420581.50	Weld - Front Deck Lift Cross Shaft, Clear Zinc	1
2	4356972.50	Bracket - Front Cross Shaft Saddle, Clear Zinc	2
3	B-458	Bolt - 5/16-18 x 1 HHCS FT Gr.8, Clear Zinc	6
4	N-237	Nut - 5/16-18 Flange Toplock Gr.G, Clear Zinc	6
5	F-109	Fitting - 3/16 x .1 Drive-In Grease, Clear Zinc	2
6	4420157	Rod - Deck Lift Foot Pedal, Anodize	1
7	B-275	Bolt - 5/8-18 x 2" HHCS FT Gr.5, Clear Zinc	1
8	N-219	Nut - 1/4-20 Flange Nylock Gr.A, Clear Zinc	2
9	W-111	Washer - 5/8 x 1.073 x .156 Lock, Clear Zinc	1
10	W-181	Washer - 5/8 x 1- 5/16 x 1/8 Flat, Clear Zinc	1
11	671833.50	Weld, Rear Deck Lift Cross Shaft, Clear Zinc	1
12	K-119	Key-1/4 x 1-3/4 Square	1
13	4360306.50	Weld, Rear Deck Lift Spring Connector, Clear Zinc	1
14	4359848.50	Weld - Rear LH Deck Lift, Clear Zinc	1
15	B-108	Bolt - 3/8-16 x 1 HHCS FT Gr.5, Clear Zinc	1
16	B-257	Bolt, 1/4-20 x 1-3/4 HHCS PT Gr.5, Clear Zinc	2
17	301740	Rod - Deck Lift Mount Bushing	4
18	B-412	Rod End - 1/2-13 x 4-1/2 FT Alloy Steel, Clear Zinc	2
19	B-439	Bolt - 1/2-13 x 6-1/2 Rod End FT Alloy, Clear Zinc	2
20	N-157	Nut, 1/2-13 Flange Whiz, Clear Zinc	4
21	N-218	Nut - 1/2-13 Flange Nylock Gr.A, Clear Zinc	4
22	P-167	Pin - 1/2 x 1-3/4 Clevis, Clear Zinc	4
23	W-166	Washer - 7/16 Flat, Clear Zinc	4
24	C-131	Clip - 1/2 Shaft Locking Hairpin	4
25	301931	Tube - Deck Adjustment Spacer, Clear Zinc	4
26	4421022	Spring - Ext., 28.196 LB/IN, 1.700 OD 5.875 FL1H, E-Coat, Black	2
27	P-181	Pin - 7/16 x 2-1/4 Clevis, Gr.8, Clear Zinc	1
28	4360646	Bearing - SAE 840 Bronze Self Align	2
29	N-176	Nut - 1/4-20 Nyloc Gr.A, Clear Zinc	4
30	B-102	Bolt - 1/4-20 x 3/4 HHCS FT Gr.5, Clear Zinc	4

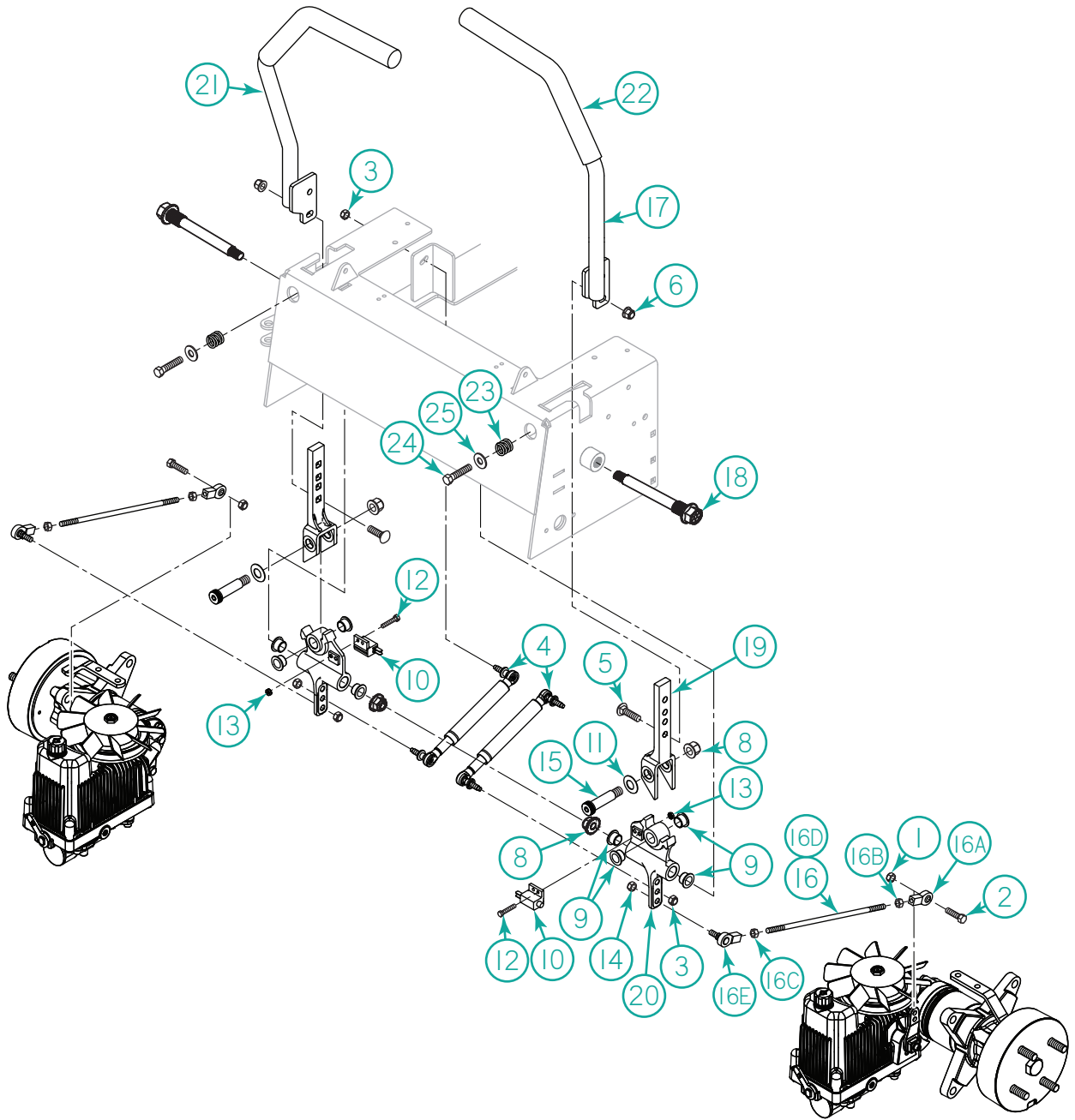
Parking Brake



Parking Brake

Item	Part No.	Description	Qty.
1	20224	Clip - 5/64 x 1-1/4 Cotter, Clear Zinc	1
2	40214	Tie Zip, 15"L x .18"W (Not shown)	3
3	4392471.25	Weld - Ratcheting Lever Mount, Black	1
4	4392476	Lever Ratcheting Hand Brake, Type 19	1
5	4392477	Cable - Brake	1
6	4395017.25	Bracket - Brake Cable, LH, Black	1
7	4395018.25	Bracket - Brake Cable, RH, Black	1
8	4395051	Cable - Brake	1
9	B-104	Bolt - 5/16 - 18 x 3/4 Carr Ft Gr.5, Clear Zinc	4
10	B-444	Bolt - 1/4 - 20 x 1 Carr Gr.5, Clear Zinc	4
11	N-217	Nut - 5/16-18 Flange Nyloc Gr A, Clear Zinc	4
12	N-219	Nut - 1/4-20 Flange Nyloc Gr A, Clear Zinc	4
13	P-102	Pin - 3/8 x 1-1/4 Clevis, Clear Zinc	1

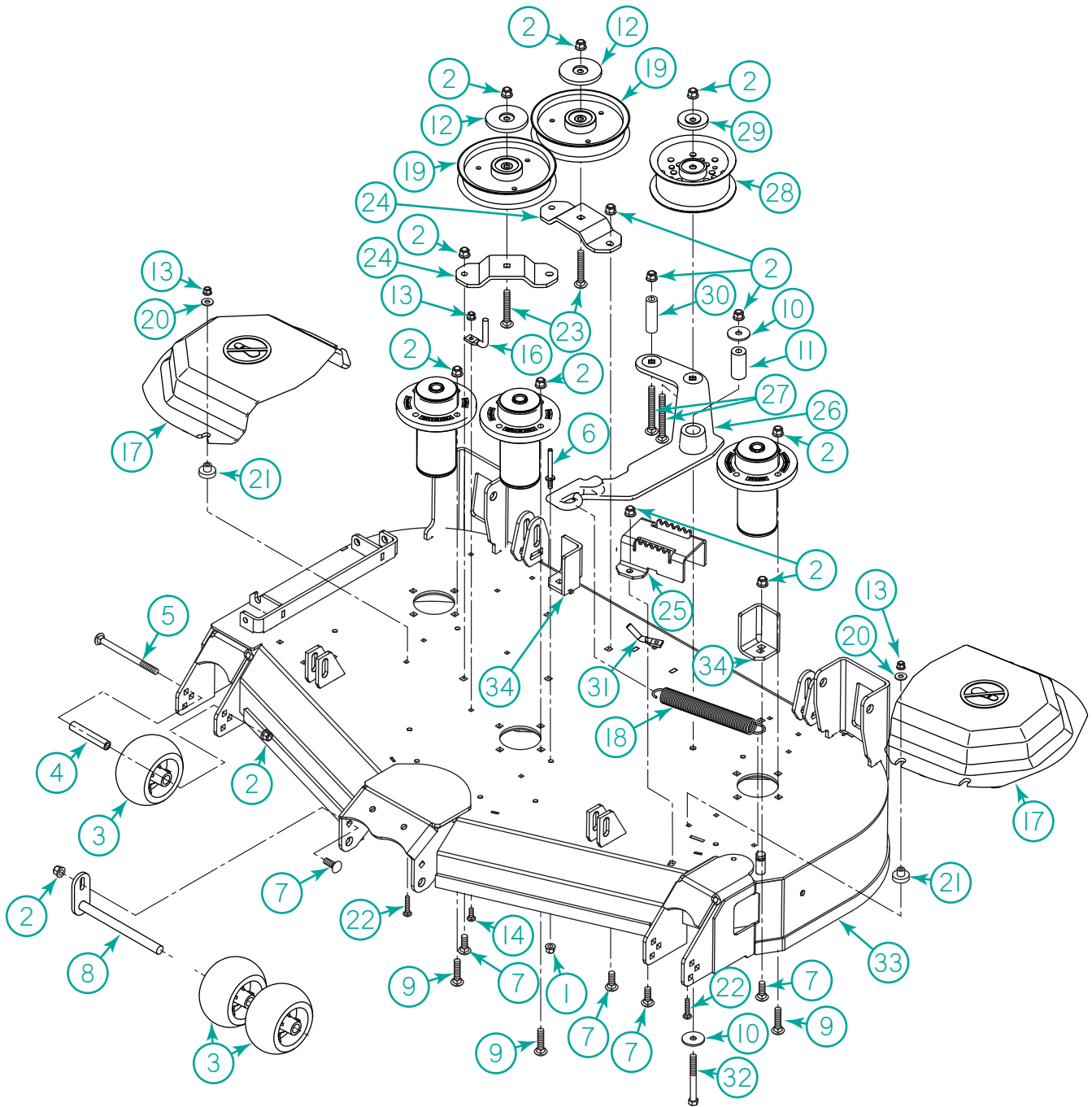
Steering Controls



Steering Controls

Item	Part No.	Description	Qty.
1	N-144	Nut - 5/16-18 Nylon Jam Gr.A, Clear Zinc	2
2	B-313	Bolt - 5/16-18 x 7/8 HHCS FT Gr.5, Clear Zinc	2
3	N-215	Nut, M8-1.25 Nyloc Gr.8, Clear Zinc	4
4	4365686	Damper - Steering	2
5	B-136	Bolt, 3/8-16 x 1-1/4 Carr FT Gr.5, Clear Zinc	4
6	N-216	Nut - 3/8-16 Flange Nylock Gr.A, Clear Zinc	4
7			
8	N-218	Nut - 1/2-13 Flange Nylock Gr.A, Clear Zinc	4
9	4347406	Bushing - 3/4 OD x 5/8 ID x 1/2 L, Type J	8
10	500013	Switch - Steering	2
11	W-212	Washer - Belleville 5/8 ID x 1-1/4 OD x .04 Thick, Clear Zinc	2
12	B-433	Bolt, #10-24 x 1 Gr.8, Clear Zinc	4
13	N-169	Nut, #10-24 Hex W/ Star Washer, Clear Zinc	4
14	N-204	Nut, 5/16-24 Nyloc Jam Gr.A, Clear Zinc	2
15	B-434	Bolt, 1/2-13 x 2 x 5/8" Shoulder Gr.5, Clear Zinc	2
16	4347426	ASM - Steering Control Linkage (Incl. 16A-16E)	2
16A	200568	Rod - End Spherical 5/16-24 Female Thread, Yellow Zinc	2
16B	N-226	Nut, 5/16-24, Half Jam RH Thread, Gr.5, Clear Zinc	2
16C	N-225	Nut, 5/16-24, Half Jam LH Thread, Gr.5, Clear Zinc	2
16D	4347427	Rod - Steering Linkage, Yellow Zinc	2
16E	200709	Rod - End, Spherical Stud, Female LH, Yellow Zinc	2
17	4350307.50	Weld - Steering Control Arm LH, Clear Zinc	1
18	B-443	Bolt - 5/8-11 x 6 HHSF PT Gr.8, Clear Zinc	2
19	4388168.50	Steering Control Mount, Clear Zinc	2
20	4350187.51	Steering Control Block, Anodize	2
21	4379226.50	Weld - Steering Control Arm RH, Clear Zinc	1
22	401052	Grip - Steering Handle	2
23	DUP-400090	Spring - Comp., Open & Ground, .625 ID x .812 L	2
24	B-158	Bolt - 3/8-16 x 1-1/2 HHCS PR Gr.5, Clear Zinc	2
25	W-104	Washer - 7/16 x 1 x .063 Flat, Clear Zinc	2

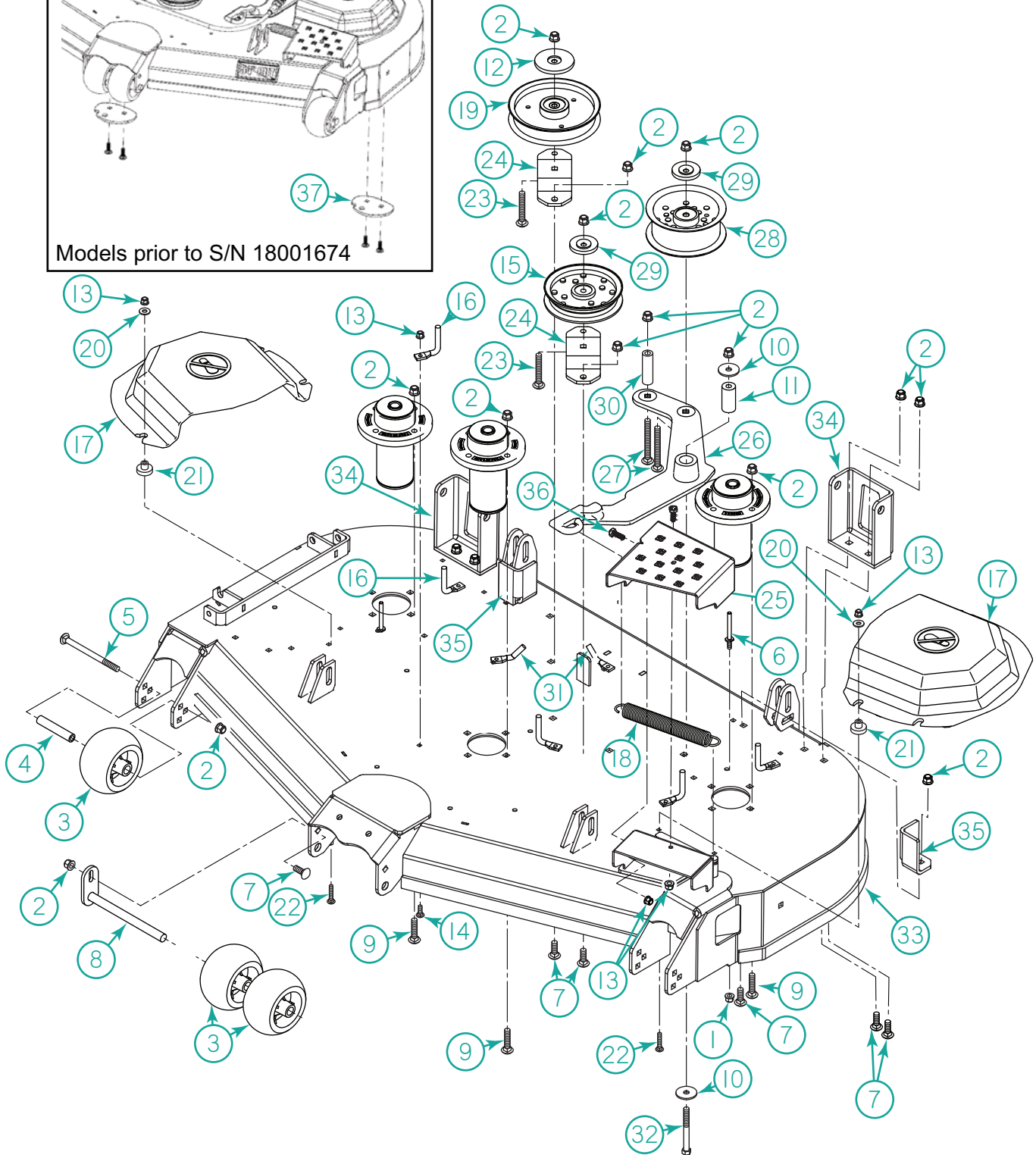
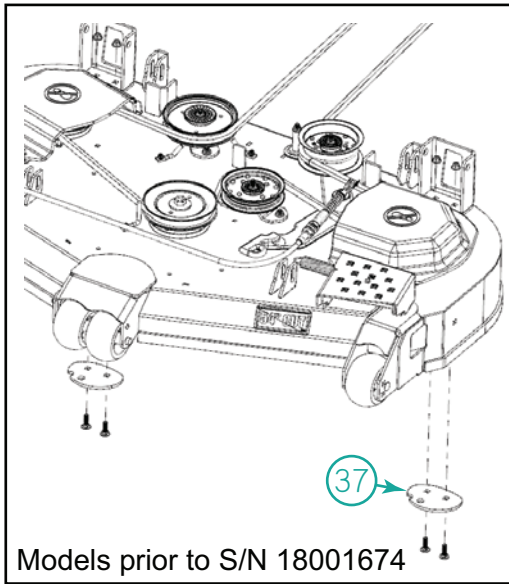
48" Deck



48" Deck

Item	Part No.	Description	Qty.
1	N-217	Nut, 5/16-18 Flange Nyloc Gr.A, Clear Zinc	3
2	N-216	Nut - 3/8-16 Flange Nyloc, Gr A Clear Zinc	28
3	300365J	Roller - 5" x 2.75" x 5/8" ID Anti-Scalp	5
4	300892	Bushing - Gauge Wheel Spacer, Clear Zinc	3
5	B-374	Bolt, 3/8-16 x 4-1/2" Carr PT Gr.5, Clear Zinc	3
6	4362887	Stud, Threaded	3
7	B-135	Bolt, 3/8-16 x 1" Carr FT Gr.5, Clear Zinc	8
8	300389	Roller Pin Weldment	1
9	B-190	Bolt, 3/8-16 x 1-1/2" Carr PT Gr.5, Clear Zinc	12
10	W-106	Washer, 3/8 x 1-1/2 x .72 Flat Fender Thick, Clear Zinc	2
11	301001	Tube - .406 ID x 1.00 OD x 2.031 L, Clear Zinc	1
12	4354306	Cap - Pulley Bearing Cover, Clear Zinc	2
13	N-219	Nut, 1/4-20 Flange Nyloc Gr.A, Clear Zinc	14
14	B-304	Bolt, 1/4-20 x 3/4 Carr FT Gr.5, Clear Zinc	8
15			
16	302554	Guide - Belt	6
17	4354946	Cover, Belt	2
18	301209	Spring - Extension	1
19	4350726	Idler Pulley - 6 Flat	2
20	W-102	Washer - 5/16 x 3/4 x .063 Flat, Clear Zinc	6
21	4372306	Bushing, Flanged	6
22	441668	Bolt, Carriage 1/4-20 x 1-1/4	6
23	B-223	Bolt, 3/8-16 x 2-1/4" Carr FT Gr.5, Clear Zinc	2
24	4350806.52	Bracket - Idler Mount, E-Coat	2
25	4421251.25	Bracket - Step, Black	1
26	4356089.51	Arm - Idler, Black Anodized	1
27	B-337	Bolt, 3/8-16 x 3" Carr FT Gr.5, Clear Zinc	2
28	300849	Pulley - Idler 5"	1
29	300868	Cap - Pulley Bearing Cover, Clear Zinc	1
30	300999	Bushing - Belt Guide, Black	1
31	4387366	Guide - Belt	2
32	B-208	Bolt, 3/8-16 x 3" HHCS PT Gr.8, Clear Zinc	1
33	4420940	Kit - Deck 48" with Decals	1
34	4421131.52	Bracket - Deck UP Stop, E Coat	2

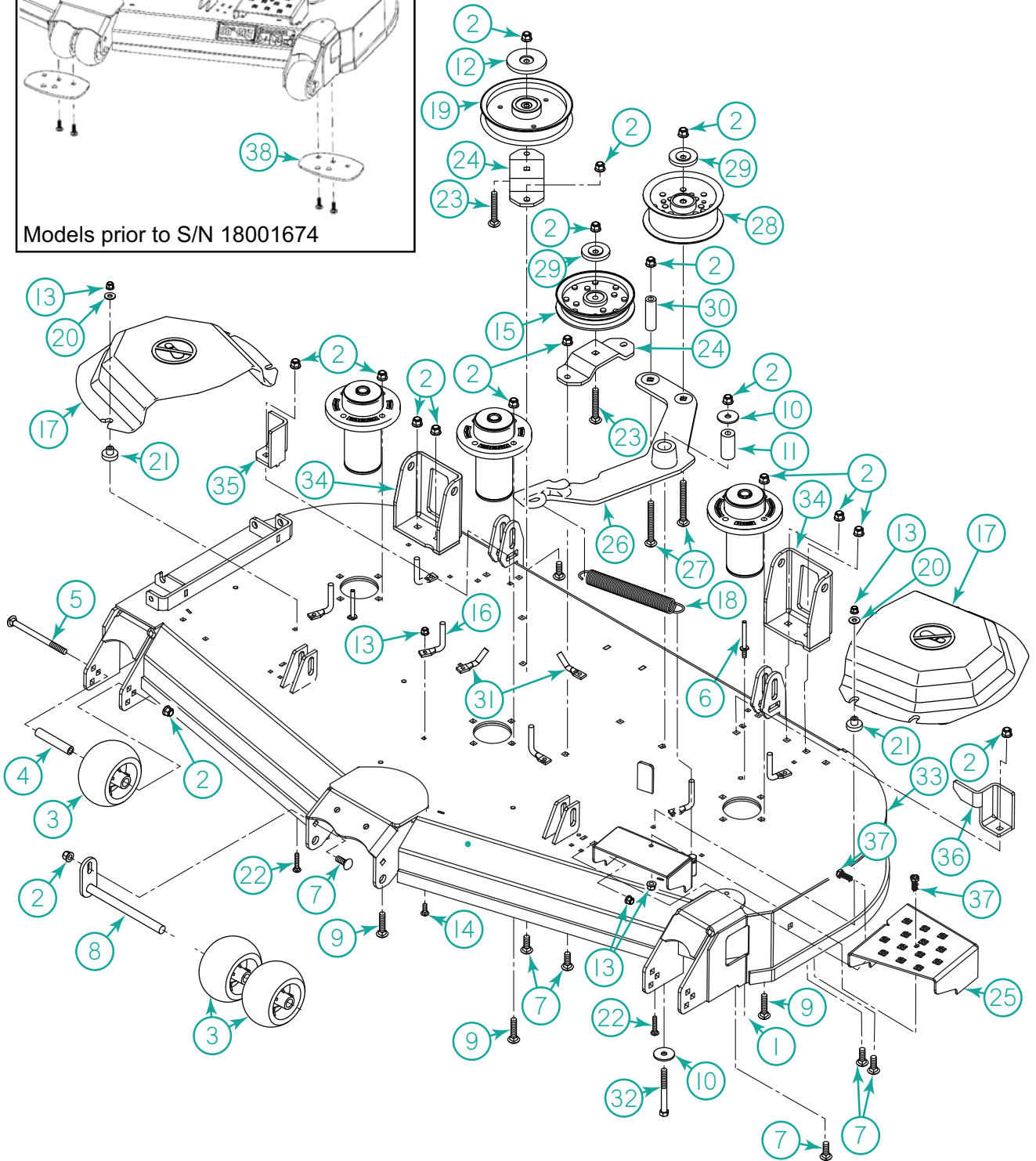
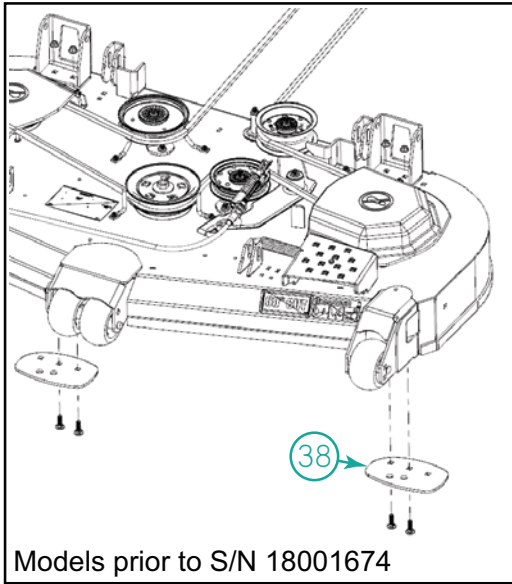
54" Deck



54" Deck

Item	Part No.	Description	Qty.
1	N-217	Nut, 5/16-18 Flange Nyloc Gr.A, Clear Zinc	2
2	N-216	Nut - 3/8-16 Flange Nyloc, Gr A Clear Zinc	31
3	300365J	Roller - 5" x 2.75" x 5/8" ID Anti-Scalp	5
4	300892	Bushing - Gauge Wheel Spacer, Clear Zinc	3
5	B-374	Bolt, 3/8-16 x 4-1/2" Carr PT Gr.5, Clear Zinc	3
6	4362887	Stud, Threaded	2
7	B-135	Bolt, 3/8-16 x 1" Carr FT Gr.5, Clear Zinc	11
8	300389	Roller Pin Weldment	1
9	B-190	Bolt, 3/8-16 x 1-1/2" Carr PT Gr.5, Clear Zinc	12
10	W-106	Washer, 3/8 x 1-1/2 x .72 Flat Fender Thick, Clear Zinc	2
11	301001	Tube - .406 ID x 1.00 OD x 2.031 L, Clear Zinc	1
12	4354306	Cap - Pulley Bearing Cover, Clear Zinc	1
13	N-219	Nut, 1/4-20 Flange Nyloc Gr.A, Clear Zinc	16
14	B-304	Bolt, 1/4-20 x 3/4 Carr FT Gr.5, Clear Zinc	8
15	300829J	Puley - Flat Idler5" With Insert	1
16	302554	Guide - Belt	6
17	4354946	Cover, Belt	2
18	301209	Spring - Extension	1
19	4350726	Idler Pulley - 6 Flat	2
20	W-102	Washer - 5/16 x 3/4 x .063 Flat, Clear Zinc	6
21	4372306	Bushing, Flanged	6
22	441668	Bolt, Carriage 1/4-20 x 1-1/4	6
23	B-223	Bolt, 3/8-16 x 2-1/4" Carr FT Gr.5, Clear Zinc	2
24	4350806.52	Bracket - Idler Mount, E-Coat	2
25	4399274.25	Bracket - Step, Black	1
26	4356089.51	Arm - Idler, Black Anodized	1
27	B-337	Bolt, 3/8-16 x 3" Carr FT Gr.5, Clear Zinc	2
28	300849	Pulley - Idler 5"	1
29	300868	Cap - Pulley Bearing Cover, Clear Zinc	2
30	300999	Bushing - Belt Guide, Black	1
31	4387366	Guide - Belt	2
32	B-208	Bolt, 3/8-16 x 3" HHCS PT Gr.8, Clear Zinc	1
33	4392391	Kit - Deck 54" with Decals	1
34	4421097.25	Weld Bracket, Stabilizer, Black	2
35	4421131.52	Bracket - Deck UP Stop, E coat	2
36	B-102	Bolt - 1/4-20 x 3/4" HHCS FT, Clear Zinc	2
37	672867.52	Plate-54" Deck Stab, Reinforce, E-coat	2

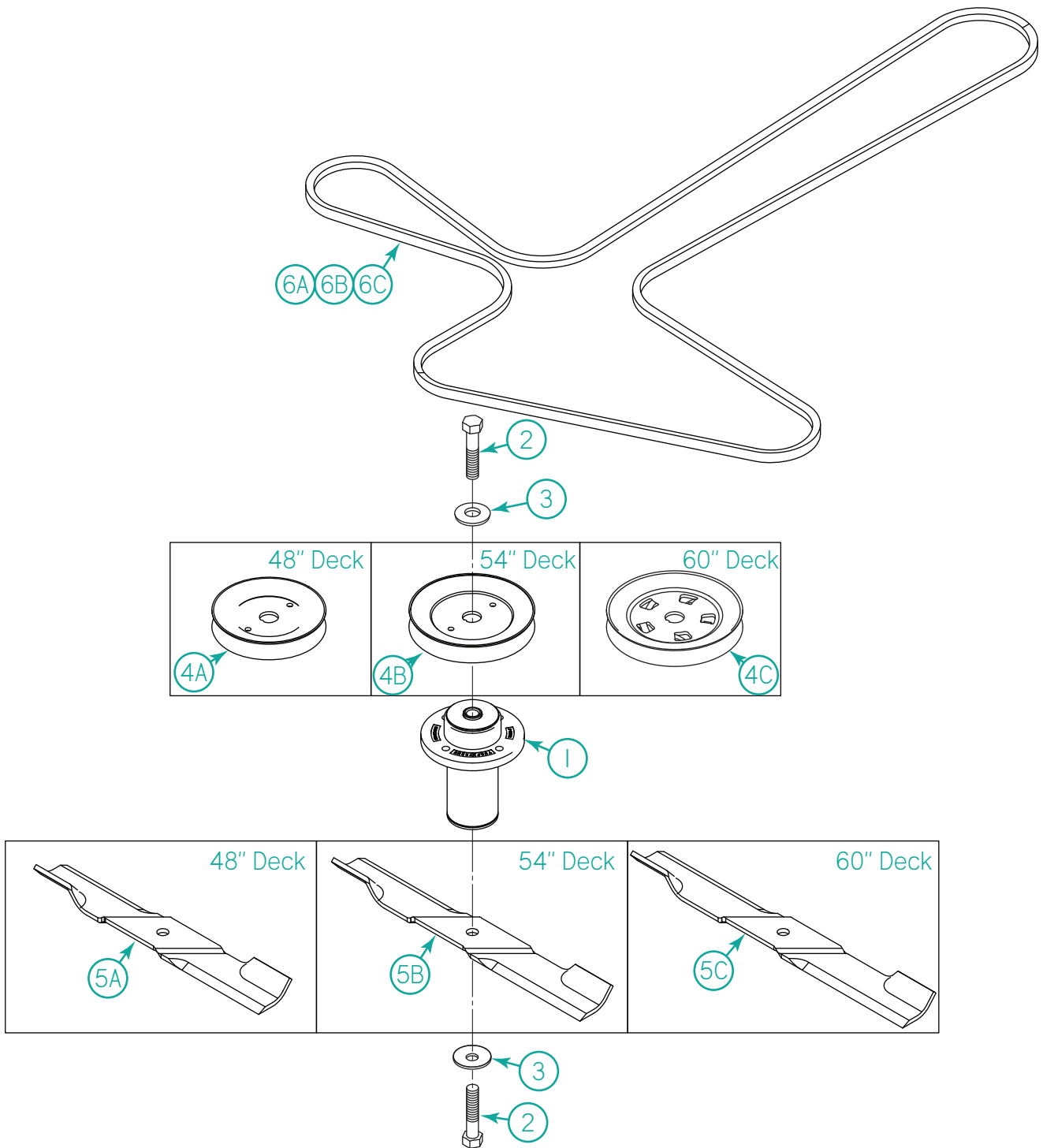
60" Deck



60" Deck

Item	Part No.	Description	Qty.
1	N-217	Nut, 5/16-18 Flange Nyloc Gr.A, Clear Zinc	2
2	N-216	Nut - 3/8-16 Flange Nyloc, Gr A Clear Zinc	31
3	300365	Roller - 5" x 2.75" x 5/8" ID Anti-Scalp	5
4	300892	Bushing - Gauge Wheel Spacer, Clear Zinc	3
5	B-374	Bolt, 3/8-16 x 4-1/2" Carr PT Gr.5, Clear Zinc	3
6	4362887	Stud, Threaded	2
7	B-135	Bolt, 3/8-16 x 1" Carr FT Gr.5, Clear Zinc	11
8	300389	Roller Pin Weldment	1
9	B-190	Bolt, 3/8-16 x 1-1/2" Carr PT Gr.5, Clear Zinc	12
10	W-106	Washer, 3/8 x 1-1/2 x .72 Flat Fender Thick, Clear Zinc	2
11	301001	Tube - .406 ID x 1.00 OD x 2.031 L, Clear Zinc	1
12	4354306	Cap - Pulley Bearing Cover, Clear Zinc	1
13	N-219	Nut, 1/4-20 Flange Nyloc Gr.A, Clear Zinc	16
14	B-304	Bolt, 1/4-20 x 3/4 Carr FT Gr.5, Clear Zinc	8
15	300829	Puley - Flat Idler5" With Insert	1
16	302554	Guide - Belt	6
17	4354946	Cover, Belt	2
18	301209	Spring - Extension	1
19	4350726	Idler Pulley - 6 Flat	2
20	W-102	Washer - 5/16 x 3/4 x .063 Flat, Clear Zinc	6
21	4372306	Bushing, Flanged	6
22	441668	Bolt, Carriage 1/4-20 x 1-1/4	6
23	B-223	Bolt, 3/8-16 x 2-1/4" Carr FT Gr.5, Clear Zinc	2
24	4350806.52	Bracket - Idler Mount, E-Coat	2
25	4399274.25	Bracket - Step, Black	1
26	4356089.51	Arm - Idler, Black Anodized	1
27	B-337	Bolt, 3/8-16 x 3" Carr FT Gr.5, Clear Zinc	2
28	300849	Pulley - Idler 5"	1
29	300868	Cap - Pulley Bearing Cover, Clear Zinc	2
30	300999	Bushing - Belt Guide, Black	1
31	4387366	Guide - Belt	2
32	B-208	Bolt, 3/8-16 x 3" HHCS PT Gr.8, Clear Zinc	1
33	4392473	Kit - Deck 60" with Decals	1
34	4421098.25	Weld - Bracket, Stabilizer, Black	2
35	4421131.52	Bracket - Deck UP Stop, E Coat	1
36	4421313.52	Bracket - Deck UP Stop, E Coat	1
37	B-102	Bolt - 1/4-20 x 3/4" HHCS FT, Clear Zinc	2
38	672869.52	Plate-60" Deck Stab, Reinforce, E-Coat	2

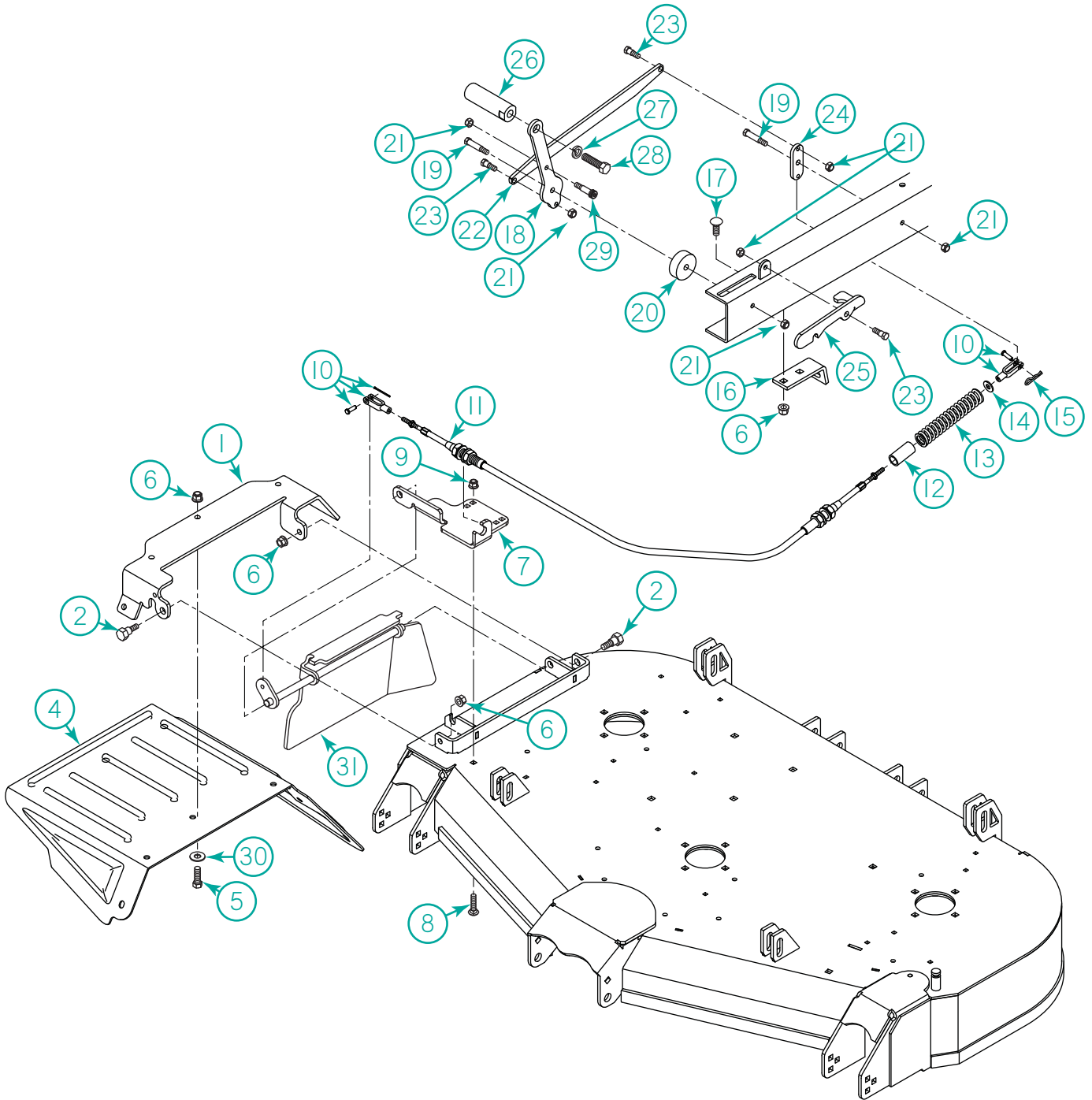
Deck Spindles



Deck Spindles

Item	Part No.	Description	Qty.
1	4356567	Housing - Spindle Bearing	3
2	B-121	Bolt - 5/8-18 x 2-1/2" HHCS PT Gr.5, Clear Zinc	6
3	W-100	Washer - 5/8 x 2 x .136 Belleville, Plain	6
4A	4355447	Sheave - Pulley, 5.28 EDB (48" Deck)	3
4B	4355532	Sheave - Pulley, 5.90 EDB (54" Deck)	3
4C	4394752	Sheave - Pulley, 6.35 EDB (60" Deck)	3
5A	30227-50X	Blade - 50 X-Style (48" Deck)	3
5B	301245	Blade - Cutting Deck (54" Deck)	3
5C	30227-60X	Blade - 60 X-Style (60" Deck)	3
6A	4353467	Belt - B Section, Wrapped, 152.00 EL (48" Deck)	1
6B	4353468	Belt - B Section, Wrapped, 163.216 EL (54" Deck)	1
6C	4350706	Belt - B Section, Wrapped, 173.015 EL (60" Deck)	1

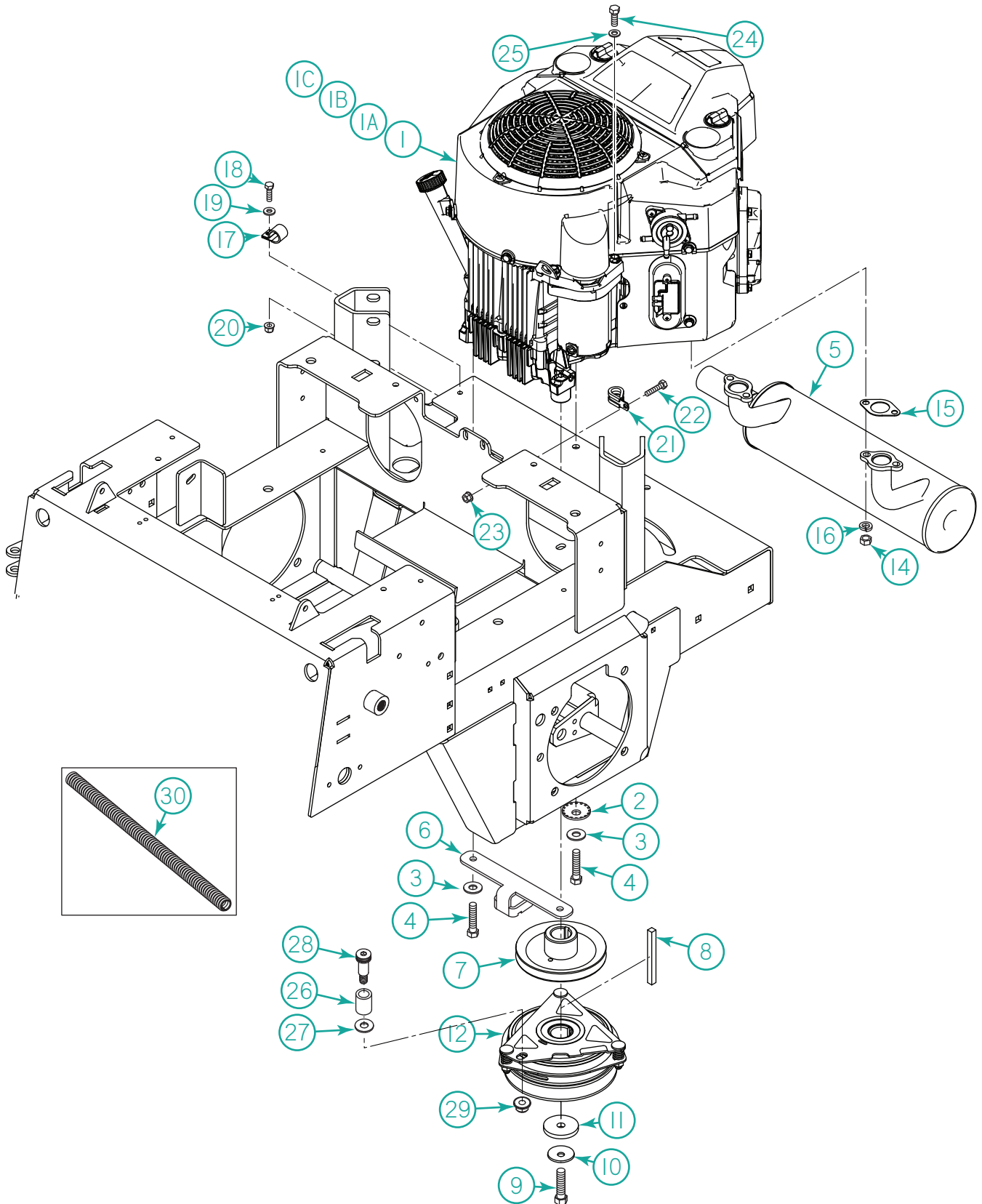
OCDC



OCDC

Item	Part No.	Description	Qty.
1	301265	Bracket - Chute Deflector, Black	1
2	B-364	Bolt - 1/2 x 3/8 x 3/8-16 x 5/8" HHCS Shoulder Alloy Steel	2
3			
4	301529	Chute Deflector	1
5	B-108	Bolt, 3/8-16 x 1 HHCS FT Gr.5, Clear Zinc	6
6	N-216	Nut, 3/8-16 Flange Nylock, Gr. A, Clear Zinc	10
7	4421239.25	Bracket - Cable Mount, Black	1
8	B-259	Bolt - 5/16-18 x 1 Carr FT Gr.5, Clear Zinc	2
9	N-217	Nut, 5/16-18 Flange Nylock, Gr. A, Clear Zinc	2
10	DUP-301413	Assembly - Clevis, Clear Zinc	2
11	4389467	Cable - Push Pull 44" (48" Deck)	1
11A	4369706	Cable - Push Pull 48" (54" Deck)	1
11B	4389468	Cable - Push Pull 50" (60" Decks)	1
12	4368426.50	Tube - OCDC Spring Bushing, Clear Zinc	1
13	97390	Spring - Diesel Engaging 40lb	1
14	W-113	Washer - 5/16 x 7/8 x .08 Flat, Clear Zinc	1
15	20224J	Clip - 5/64 x 1-1/4 Cotter, Clear Zinc	1
16	4367290.25	Bracket - OCDC Cable Mount, Black	1
17	B-135	Bolt, 3/8-16 x 1" Carr FT Gr.5, Clear Zinc	2
18	4367286.50	Bracket, OCDC Pedal, Clear Zinc	1
19	B-382	Bolt, 3/8 x 1 Shoulder HHCS 5/16-18 Alloy Steel, ZNCoat	2
20	4389366.50	Bushing - OCDC, Clear Zinc	1
21	N-144	Nut, 5/16-18 Nylon Jam Gr.A, Clear Zinc	6
22	4367287.50	Plate - OCDC Link, Clear Zinc	1
23	B-366	Bolt, 3/8 x 5/16 Shoulder HHCS 5/16-18 Gr.2, Clear Zinc	3
24	4367288.50	Plate - OCDC Cam, Clear Zinc	1
25	4377468.50	Bracket - OCDC Pedal Lock, Clear Zinc	1
26	DUP-301736	Rod - Foot Pedal, Anodize	1
27	W-216	Washer - 5/8 x 1.073 x .156 Lock, Clear Zinc	1
28	B-275	Bolt - 5/8-18 x 2" HHCS FT Gr.5, Clear Zinc	1
29	B-369	Bolt - 3/8 x 3/4 Shoulder SHCS 5/16-18 Alloy Steel, ZNCoat	1
30	W-104	Washer - 7/16 ID x 1 OD x 1/16	6
31	671635	Kit - OCDC Baffle (Includes Decals)	1

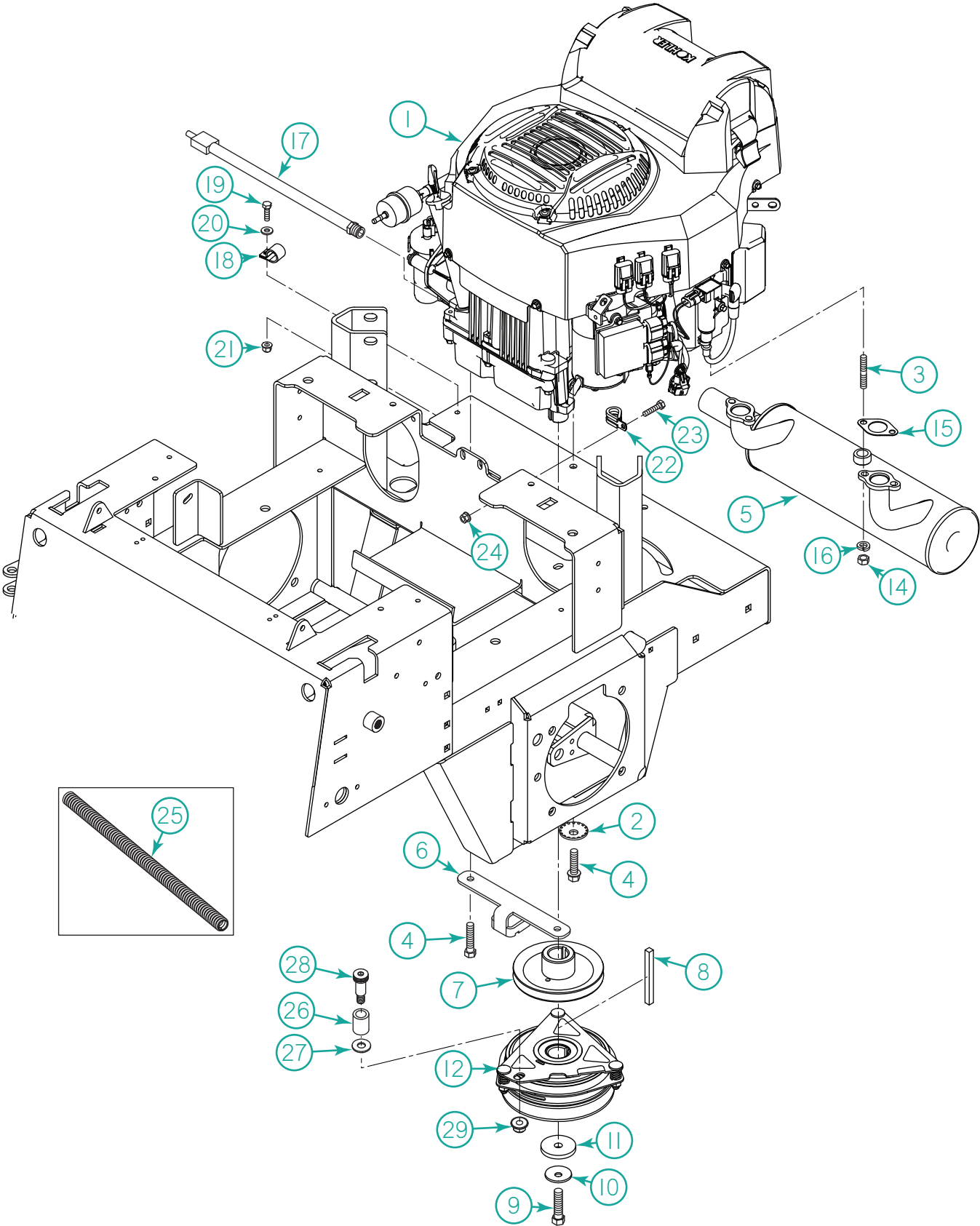
Kawasaki Engine



Kawasaki Engine

Item	Part No.	Description	Qty.
1	DUP-600583	Engine - Kawasaki 22HP, FS651V, W/Solenoid (BlackHawk Models)	1
1A	600585	Engine - Kawasaki 22HP, FX691V, W/Solenoid (BlackHawk HP Models)	1
1B	600584	Engine - Kawasaki 24HP, FS730V, W/Solenoid (BlackHawk Models)	1
1C	600586	Engine - Kawasaki 24HP, FX730V, W/Solenoid (BlackHawk HP Models)	1
2	W-158	Washer, 1/2 x 1-5/8 x .131 Tooth Belleville	1
3	W-104	Washer, 7/16 x 1 x .063 Flat, Clear Zinc	4
4	B-436	Bolt - 3/8-16 x 1-1/2 Hex Tap Bolt FT, Gr.5, Clear Zinc	4
5	600589	Muffler - Kawasaki FS FX	1
6	4420833.50	Bracket - Clutch Stop, Clear Zinc	1
7	4421142	Pulley-Engine, 5.173 EDA	1
8	K-116	Key, 1/4 x 3-3/4" Square	1
9	B-328	Bolt, 7/16-20 x 1-1/2 HHCS FT Gr.5, Clear Zinc	1
10	W-144	Washer, 7/16 x 1-1/2 x .108 Belleville SS	1
11	600422J	Spacer - .406 ID x 2.00 OD x .25 Th, Clear Zinc	1
12	4357267	Clutch - Ogura 2.5 GT Fe01S	3
13	900309	Tie - 7" Wire (Not Shown)	1
14	N-212	Nut, M8-1.25 Hex Gr.5, Clear Zinc	4
15	902038	Gasket, Exhaust	2
16	W-163	Lock washer, M8	4
17	C-122	Clamp - 3/4 Vinyl Closed Loop	1
18	B-209	Bolt - 1/4-20 x 3/4 HHCS FT, SS	1
19	W-153	Washer - 1/4 SS Flat, Plain	1
20	N-219	Nut - 1/4-20 Flange Nyloc Gr.A, Clear Zinc	1
21	C-112	Clamp - 1/2" Rubber Coated Clamp	1
22	B-172	Bolt - 1/4-20 x 1 HHCS Gr.5, Clear Zinc	1
23	N-102	Nut - 1/4-20 Flange Whiz Gr.5, Clear Zinc	1
24	B-220	Bolt - M8-1.25 x 20 HHCS FT Gr. 8.8, Clear Zinc	1
25	W-161	Washer, M8 Flat	1
26	600030-1	Hose, 1/2" ID x 3/4" OD Fuel Line, 1"	1
27	W-113	Washer - 5/16 x 7/8 x .08 Flat, Clear Zinc	1
28	B-116	Bolt-1/2x1 Shoulder SHCS 3/8-16 Alloy Steel, Clear Zinc	1
29	N-216	Nut-3/8-16 Flange Nyloc, Gr.A, Clear Zinc	1
30	4421464-10	Tube -3/8" ID x 1/2" OD x x10"L Split Loom	1

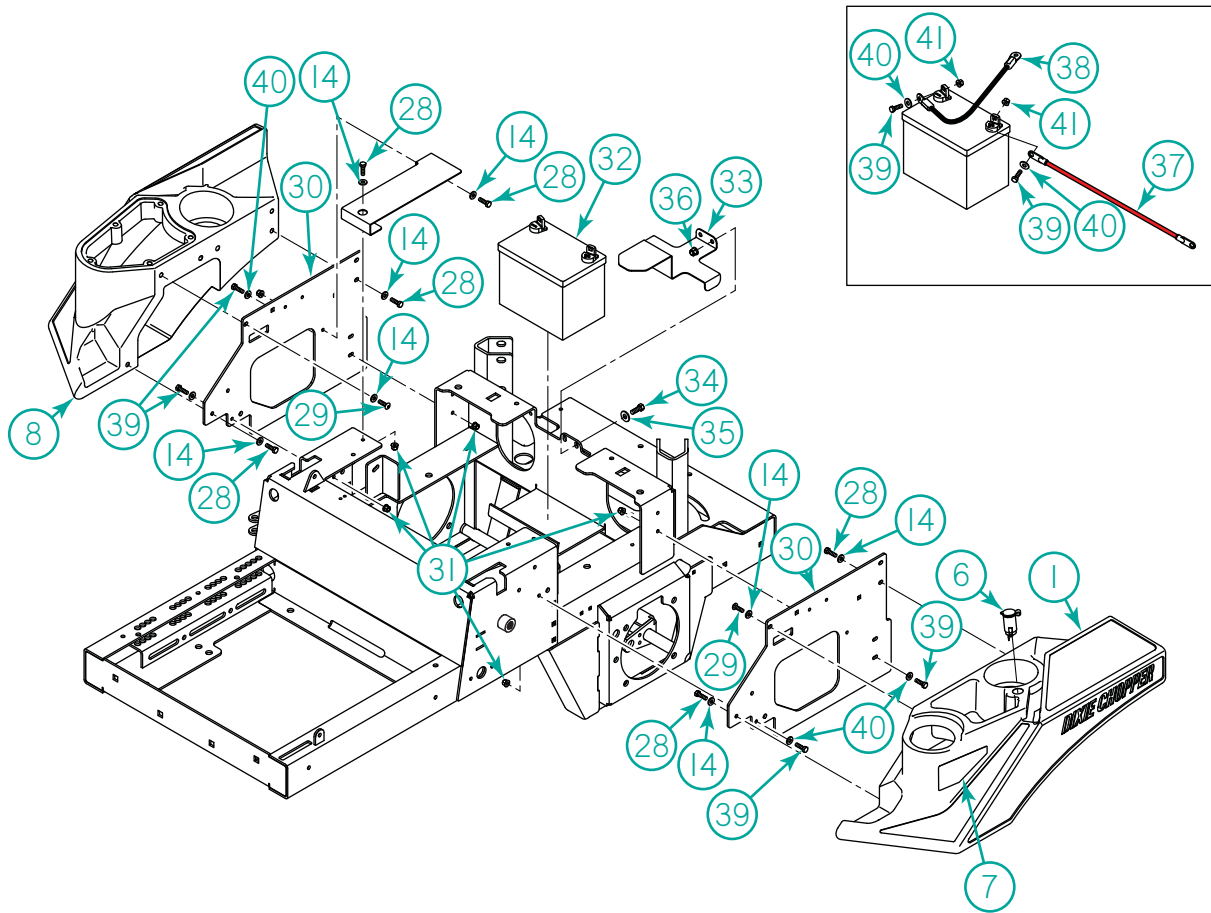
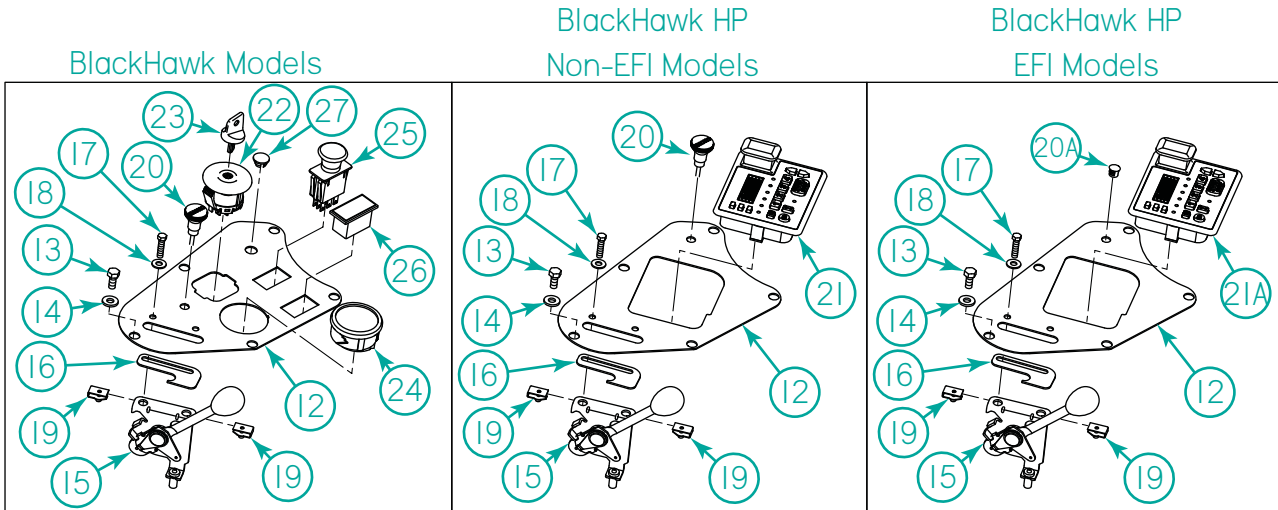
Kohler Engine



Kohler Engine

Item	Part No.	Description	Qty.
1	600588	Engine - Kohler, 25HP EFI, Confidant, EZT740, 747CC	1
2	W-158	Washer, 1/2 x 1-5/8 x .131 Tooth Belleville	1
3	S-115	Stud, 5/16-18 x 1-3/4 F/Seat, Clear Zinc	4
4	B-317	Bolt - 3/8-16 x 1-1/4 Hex Self Tapping	4
5	600592	Muffler - Kohler EFI Confidant	1
6	4420833.50	Bracket - Clutch Stop, Clear Zinc	1
7	4421142	Pulley-Engine, 5.173 EDA	1
8	K-116	Key, 1/4 x 3-3/4" Square	1
9	B-328	Bolt, 7/16-20 x 1-1/2 HHCS FT Gr.5, Clear Zinc	1
10	W-144	Washer, 7/16 x 1-1/2 x .108 Belleville SS	1
11	600422	Spacer - .406 ID x 2.00 OD x .25 Th, Clear Zinc	1
12	4357267	Clutch - Ogura 2.5 GT Fe01S	3
13	900309	Tie - 7" Wire (Not Shown)	1
14	N-103	Nut, 5/16-18 Hex Gr.5, Clear Zinc	4
15	901509	Gasket, Exhaust	2
16	W-163	Lock washer, M8	4
17	600436	Hose - Drain Pan Oil W/E-Z Valve	1
18	C-122	Clamp, 3/4 Vinyl Closed Loop	1
19	B-209	Bolt, 1/4-20 x 3/4 HHCS FT, SS	1
20	W-153	Washer - 1/4 SS Flat, Plain	1
21	N-219	Nut, 1/4-20 Flange Nyloc Gr.A, Clear Zinc	1
22	C-112	Clamp - 1/2" Rubber Coated Clamp	1
23	B-172	Bolt - 1/4-20 x 1 HHCS Gr.5, Clear Zinc	1
24	N-102	Nut - 1/4-20 Flange Whiz Gr.5, Clear Zinc	1
25	4421464-10	Tube -3/8" ID x 1/2" OD x x10"L Split Loom	1
26	600030-1	Hose, 1/2" ID x 3/4" OD Fuel Line, 1"	1
27	W-113	Washer - 5/16 x 7/8 x .08 Flat, Clear Zinc	1
28	B-116	Bolt-1/2x1 Shoulder SHCS 3/8-16 Alloy Steel, Clear Zinc	1
29	N-216	Nut-3/8-16 Flange Nyloc, Gr.A, Clear Zinc	1

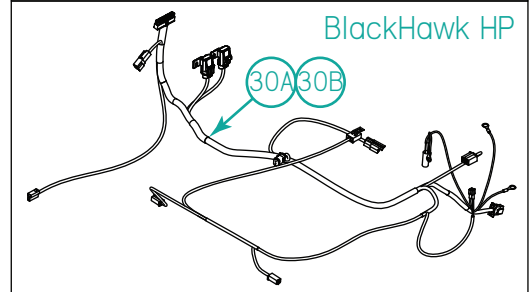
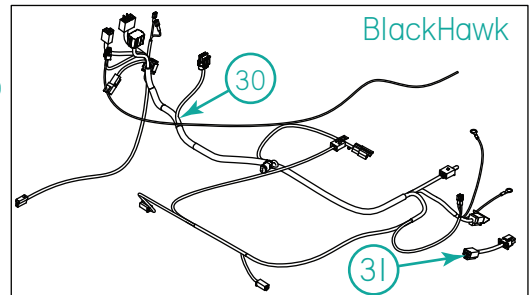
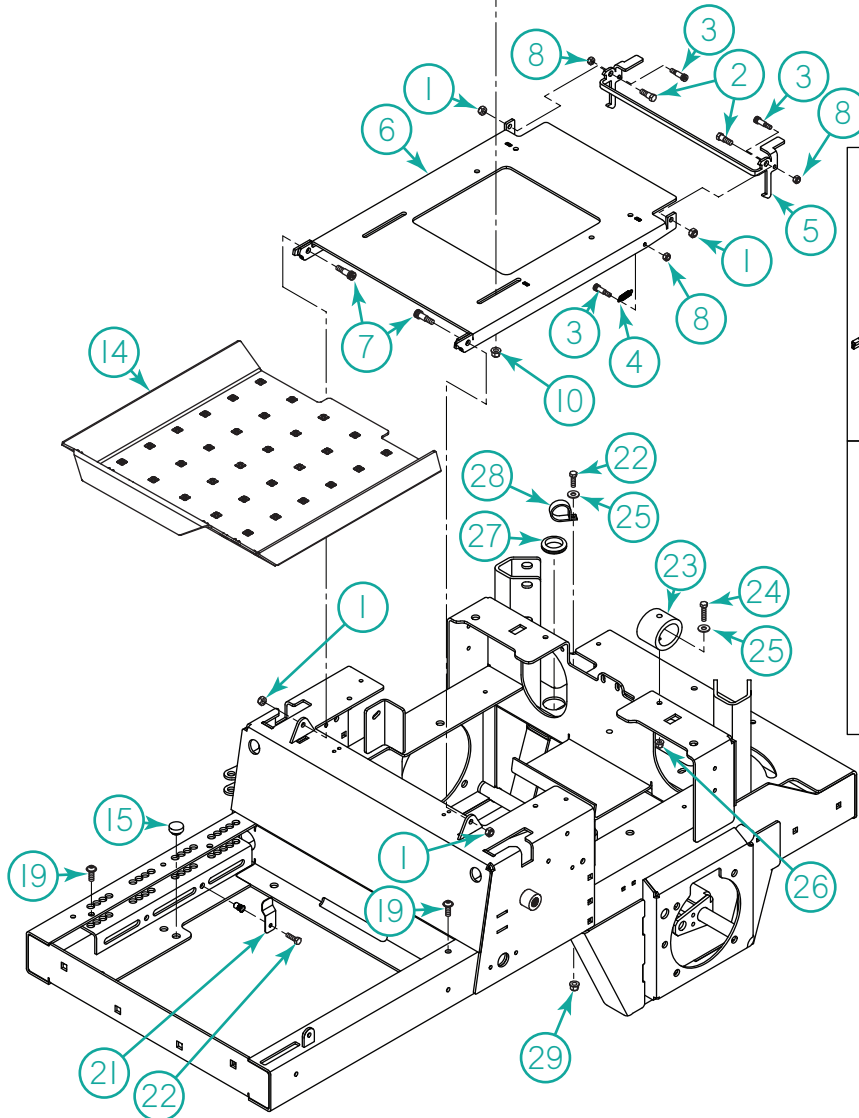
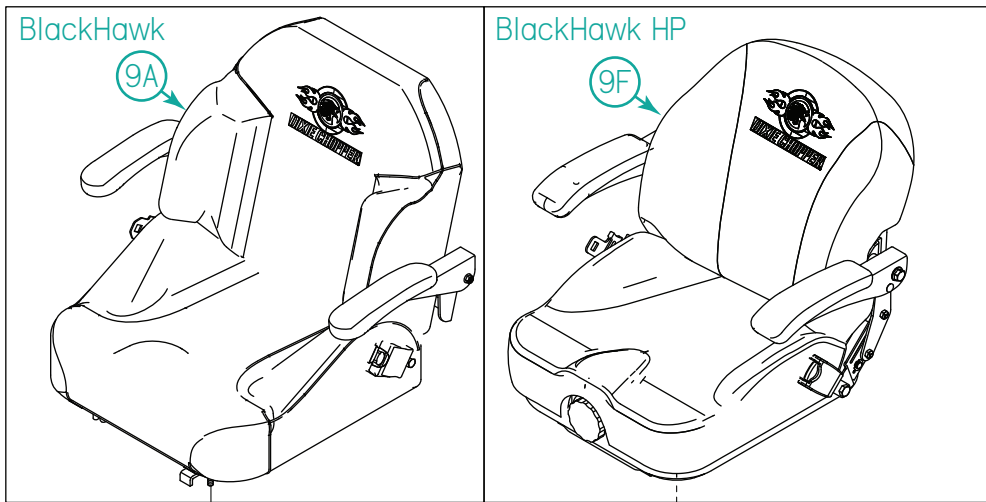
Fenders



Fenders

Item	Part No.	Description	Qty.
1	4380587	Fender - Molded LH	1
2			
3			
4			
5			
6	DUP-500053	Plug - Accessory	1
7	800985	Decal - Max Fill	1
8	4395670	Fender - Molded RH	1
9			
10			
11			
12	4387846	Plate - Control Panel (BlackHawk Models)	1
12A	4364028	Plate - Control Panel (BlackHawk HP Models)	1
13	B-103	Bolt - 1/4-20 x 1/2" HHCS FT, SS	5
14	W-153	Washer - 1/4 Flat SS, Plain	14
15	401590	Assembly - Throttle Full Throttle Detent	1
16	401833L	Bracket - Throttle Stop	1
17	B-203	Bolt - #10-24 x 3/4" HHCS FT, SS	2
18	W-152	Washer - #10 Flat SS, Plain	2
19	C-105	Clip - #10-24 No-Slip Clip-On Nut, Black Phosphate	2
20	600072	Cable - Choke 63" Long (Non-EFI Models)	1
20A	400227	Plug - Finishing 3/8" x 15/32" Plastic F/D (EFI Models)	1
21	4357767	Gauge - Main Display Carbureted (BlackHawk HD Non-EFI Models)	1
21A	4357246	Gauge - Main Display EFI (BlackHawk HD EFI Models)	1
22	500017	Switch - Ignition, 5 Amp (BlackHawk Models)	1
23	500243	Key - Ignition, Molded Insert (BlackHawk Models)	2
24	4385206	Gauge - Multi Function Tach, Hour, Fuel (BlackHawk Models)	1
25	4174684	Switch - PTO (BlackHawk Models)	1
26	4130134	Hole Plug (BlackHawk Models)	1
27	DUP-400266	Plug - Snap In Plastic Black 1/2" (BlackHawk Models)	1
28	B-209	Bolt - 1/4-20 x 3/4" HHCS FT, SS	7
29	B-441	Bolt - 1/4-20 x 3/4" Button SHCS, SS	2
30	4360689.25	Plate - Inner Fender, Black	2
31	N-219	Nut - 1/4-20 Flange Nyloc, Gr A Clear Zinc	6
32	500194	Battery - Small 350 Cold Cranking Amps	1
33	4355184.25	Bracket - Battery, Black	1
34	B-107	Bolt - 5/16-18 x 3/4" HHCS FT Gr. 5, Clear Zinc	2
35	W-113	Washer - 5/16 x 7/8 x .08 Flat, Clear Zinc	2
36	N-217	Nut - 5/16-18 Flange Nyloc, Gr A Clear Zinc	2
37	4388268	Asm - Cable Battery 4 Ga, Red 16"	1
38	500197	Cable - Battery, Negative 14"	1
39	B-102	Bolt - 1/4-20 x 3/4" HHCS FT, Clear Zinc	8
40	W-102	Washer, 5/16 x 3/4 x .063 Flat, Clear Zinc	8
41	N-102	Nut, 1/4-20 Flange Whiz Gr.5, Clear Zinc	2

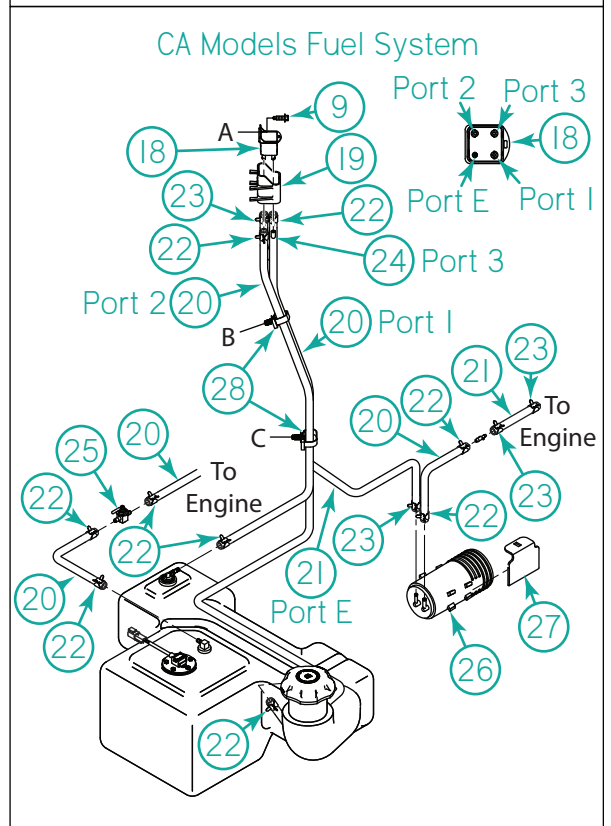
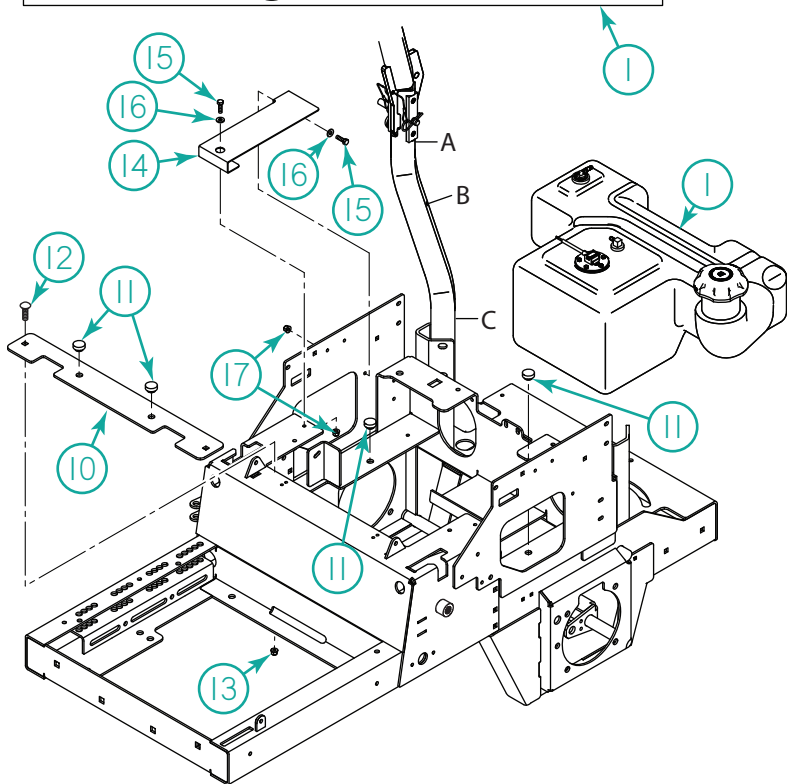
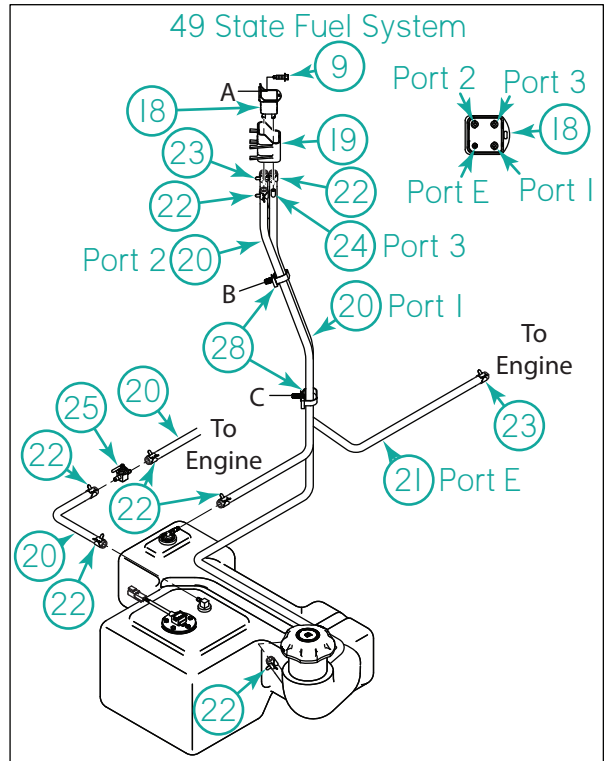
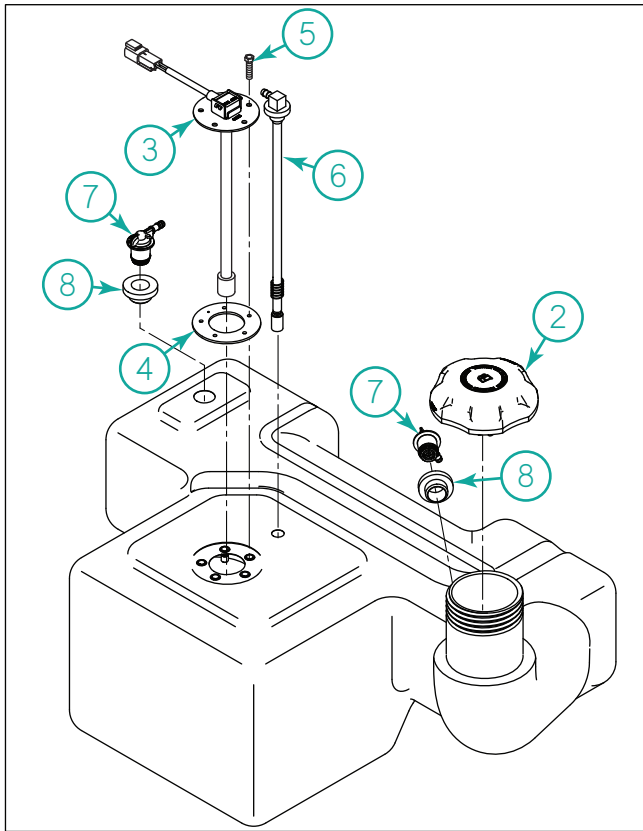
Seat Pan



Seat Pan

Item	Part No.	Description	Qty.
1	N-144	Nut - 5/16-18 Nylon Jam Gr.A, Clear Zinc	4
2	B-366	Bolt - 3/8 x 5/16 Shoulder HHCS 5/16-18 Gr.2, Clear Zinc	2
3	B-390	Bolt - 5/16 x 1/2 Shoulder SHCS 1/4-20 Alloy Steel, ZNCoat	4
4	401323	Spring - Extension	2
5	4364127.50	Bracket - Seat Latch, Clear Zinc	1
6	4386924.25	Weldment - Seat Pan, Black	1
7	B-400	Bolt - 3/8 x 1/2 Shoulder SHCS 5/16-18 Alloy Steel, ZNCoat	2
8	N-176	Nut - 1/4-20 Nyloc Gr.A, Clear Zinc	4
9	4357427	Seat - Non Suspension (BlackHawk Models) (Incl 9A-9E)	1
9A	402052	Kit - Seat Cover, Back Rest, Seat King, 600 Series, Dixie Chopper	1
9B	402056	Kit - Seat Cover, Bottom, Seat King, 600 Series, Dixie Chopper	1
9C	4391666	Kit - Armrest, Adjustable, Poly, SK	1
9D	4391706	Kit - Seat Belt, Retractable, SK	1
9E	4391726	Kit - Seat Tracks, 4" Travel, 1" Studs, Short Arm, SK	1
9F	4364126	Seat - Suspension, SI (BlackHawk HP Models) (Incl 9G-9L)	1
9G	402042	Kit - Seat Cover, Back Rest, Seats Inc	1
9H	4394046	Kit - Armrest, Adjustable, Poly, SI	1
9J	4394047	Kit - Seat Belt, Retractable, SI	1
9K	402063	Kit - Seat Tracks, 4" Travel, HD, .65" Studs, SI	1
9L	902602	Switch - I-Pole N/O Snap Mount Low Profile	1
10	N-217	Nut - 5/16-18 Flange Nyloc Ga.A, Clear Zinc	4
11			
12			
13			
14	4399506.25	Bracket - Floor Pan, Black	1
15	900068	Pad - Rubber	6
16			
17			
18			
19	B-338	Bolt - 5/16-18 x 3/4 SHCS Button Flange, SS	2
20			
21	4383026	Bracket - Deck Slider Guide	2
22	B-102	Bolt - 1/4-20 x 3/4 HHCS FT Gr.5, Clear Zinc	3
23	402005J	Bumper - GBR 6	2
24	B-172	Bolt - 1/4-20 x 1 HHCS FT Gr.5, Clear Zinc	1
25	W-102	Washer - 5/16 x 3/4 x .063 Flat, Clear Zinc	3
26	N-219	Nut - 1/4-20 Flange Nyloc Gr.A, Clear Zinc	2
27	900069	Grommet - Rubber	1
28	C-113	Clamp - 1 Rubber Coated	1
29	N-102	Nut - 1/4-20 Flange Whiz	1
30	4382339	Harness - Wiring Main Rope (BlackHawk Models)	1
30A	500239	Harness - Wiring (BlackHawk HP Kawasaki Models)	1
30B	500240	Harness - Wiring EFI (BlackHawk HP Kohler Models)	1
31	500192	Harness - Wiring Adapter (BlackHawk Models)	1

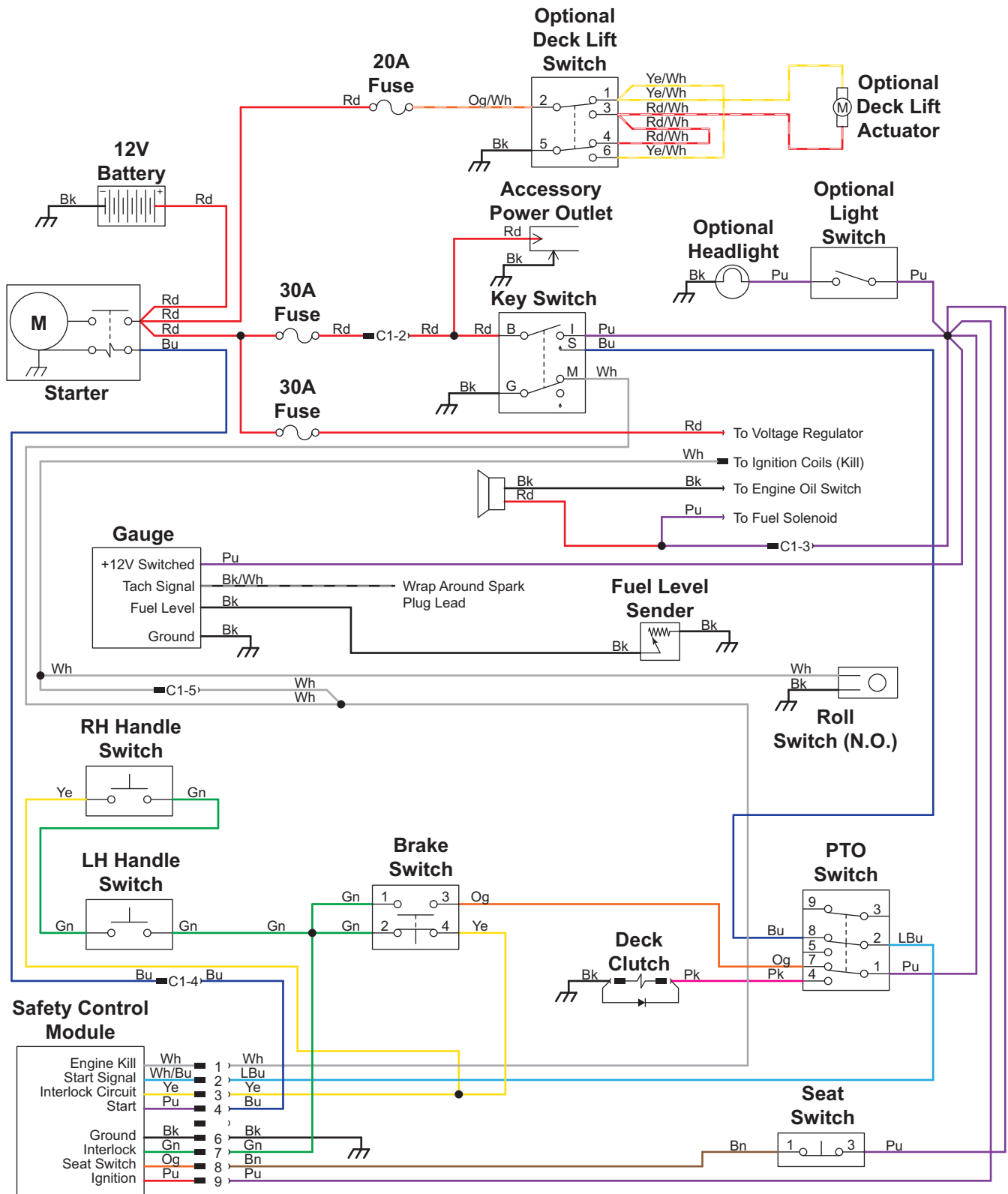
Fuel System



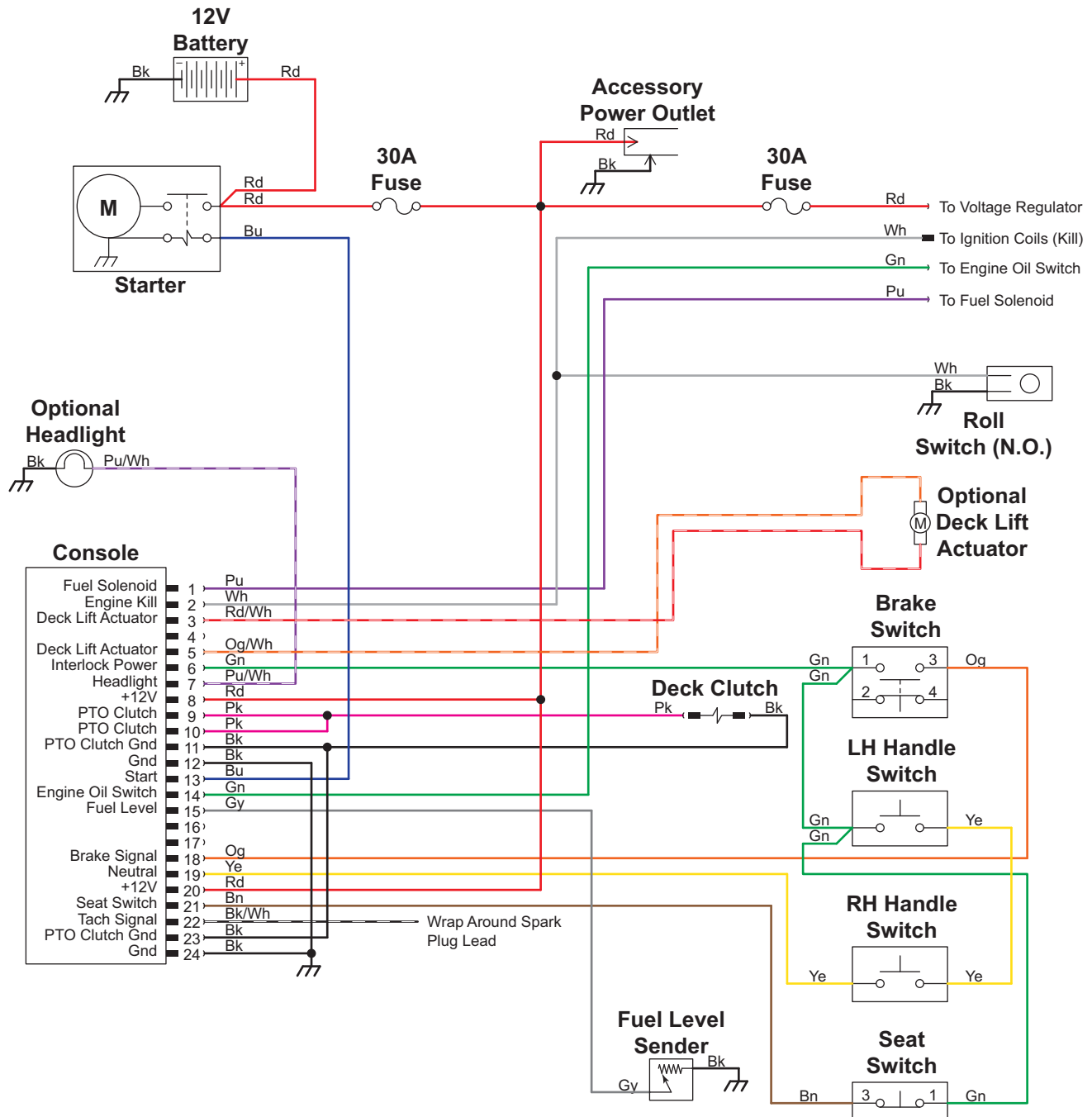
Fuel System

Item	Part No.	Description	Qty.
1	4359746	Assembly - Tank, Fuel Complete (Incl 2-8)	1
2	400886	Cap, Fuel Tank, 3.5 Ratchet, 1 Way Check	1
3	4367208	Sensor - Fuel Level	1
4	4374166	Gasket - Fuel Level Sensor	1
5	B-289	Bolt - #10-24 x 1/2 Indented HHCS FT, Clear Zinc	5
6	4420055	Assembly - Adapter Tank	1
7	DUP-600595	Valve - Remote Vent, 1/4 Barb	2
8	600605	Grommet - Rollover, Viton	2
9	B-437	Bolt - 5/16-18 x 1 Self Tapping Hex Head, Clear Zinc	1
10	4356171.25	Bracket - Fuel Tank Support, Black	1
11	900068	Pad - Rubber	4
12	B-135	Bolt, 3/8-16 x 1 Carr FT Gr.5, Clear Zinc	2
13	N-216	Nut - 3/8-16 Flange Nyloc, Gr A Clear Zinc	2
14	4374810.25	Bracket - Fuel Tank Cover, Black	1
15	B-209	Bolt - 1/4-20 x 3/4" HHCS FT, SS	2
16	W-153	Washer - 1/4 Flat SS, Plain	2
17	N-219	Nut - 1/4-20 Flange Nyloc, Gr A Clear Zinc	2
18	4374807	Tank - Evap Expansion	1
19	4374808	Cover - Evap Expansion	1
20	600398	Hose, Gas Line 1/4" EPA 15 g/m ² /24h	/IN
21	600399	Hose, Gas Line 3/16" EPA 15g/m ² /24h	/IN
22	40213	Clamp, 1/4" Hose (Red)	8 / 10
23	C-125	Clamp, Spring Hose 3/16	2 / 4
24	4389131	Plug - Rubber (On Port 3 of EVAP Expansion Tank)	1
25	DUP-401207	Valve - Ball In-Line Panel Mount	1
26	4221120	Canister - 800cc Carbon (CA Models Only)	1
27	401998	Weldment - Canister Mount, Black (CA Models Only)	1
28	4387967	Clip - Fir Tree Mount Cable Tie	2

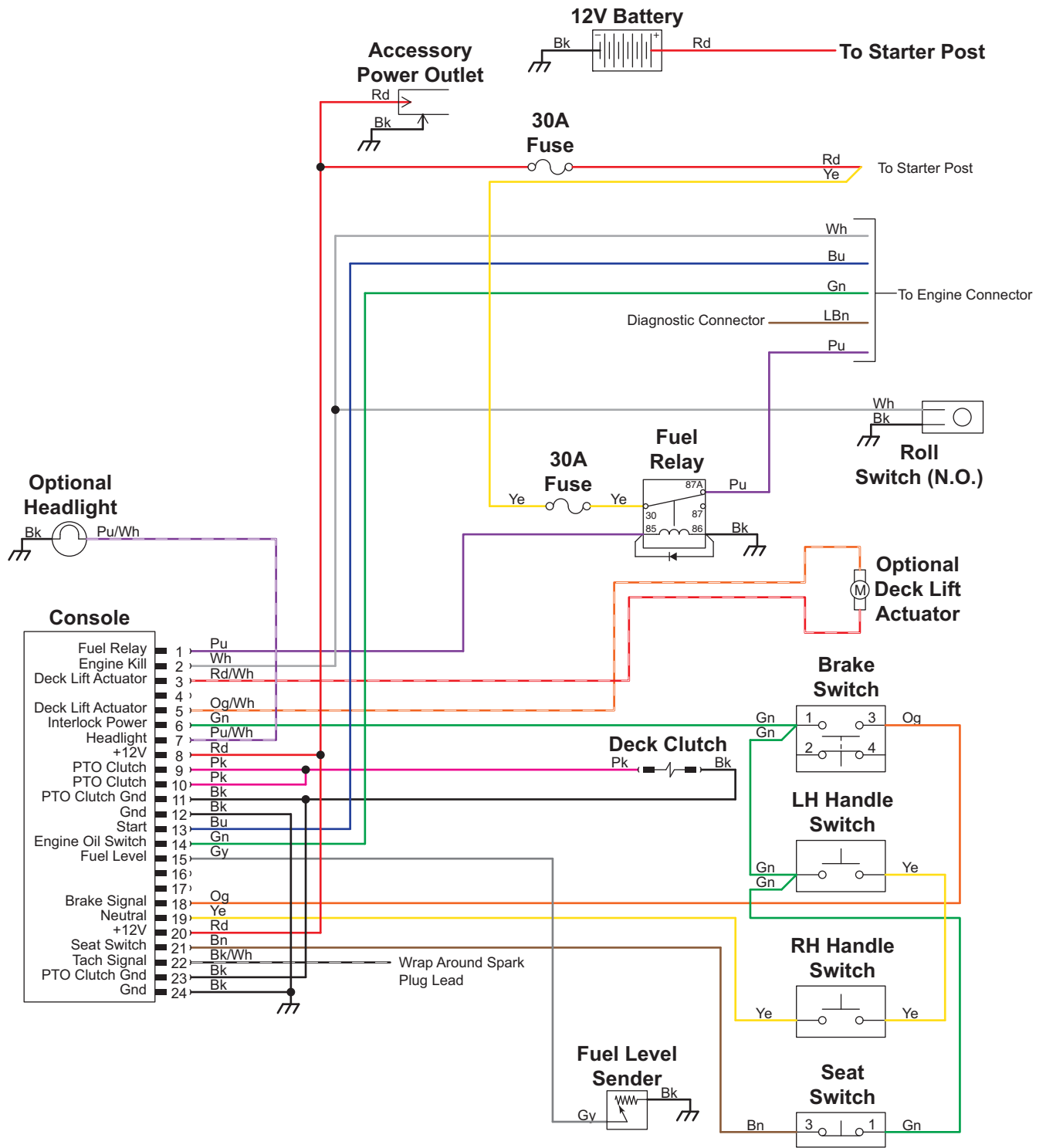
BlackHawk Schematic



BlackHawk HP Non-EFI Schematic



BlackHawk HP EFI Schematic



General Bolt Torque Specifications

Bolt Size Inches	Coarse Thread /Inches	SAE 0-1-2 Low Carbon Steel	SAE Grd. 3 Medium Carbon Steel	SAE Grd. 5 Med. Carbon Heat T. Steel	SAE Grd. 6 Med. Carbon Treat Steel	SAE Grd. 7 Med. Carbon Alloy Steel	SAE 0-1-2 Med. Carbon Alloy Steel
1/4	20	6	9	10	12.5	13	14
5/16	18	12	17	19	24	25	29
3/8	16	20	30	33	43	44	47
7/16	14	32	47	54	69	71	78
1/2	13	47	69	78	106	110	119
9/16	12	69	103	114	150	154	169
5/8	11	96	145	154	209	215	230
3/4	10	155	234	257	350	360	380
7/8	9	206	372	382	550	570	600
1	8	310	551	587	825	700	840
1-1/8	7	480	794	872	1304	1325	1430
1-1/8	7	675	1105	1211	1815	1825	1975

To determine the torque for a fine thread bolt, increase the above coarse thread ratings by 9%.

Index

Numerics	4354028	10	4369706	28	
101016	8	4354086	30, 32	4372306	20, 22, 24
10205	8	4354306	20, 22, 24	4420055	38
10206	8	4354768	10	4374166	38
10207	8	4354769	10	4374807	38
10208	8	4354946	20, 22, 24	4374808	38
200568	18	4355184.25	34	4374810.25	38
200709	18	4356089.51	20, 22, 24	4377468.50	28
20224	16, 28	4356106	10	4379219	10
300031	12	4356107.51	10	4379220	10
300365	20, 22, 24	4356171.25	38	4379226.50	18
300389	20, 22, 24	4356172.25	8	4379546.25	16
300829	22, 24	4356174.25	8	4379547.25	16
300849	20, 22, 24	4356543	36	4379814	34
300868	20, 22, 24	4356966.25	12	4380628	8
300892	20, 22, 24	4356972.50	14	4380707	34
300898	10	4357246	34	4381706	34
300999	20, 22, 24	4357267	30, 32	4381767	12
301001	10, 20, 22, 24	4357427	36	4381806	36
301209	20, 22, 24	4357767	34	4382339	36
301265	28	4358209	8	4382986.25	16
301529	28	4358326.52	8	4383026	36
301740	14	4358967	34	4383106	5
301931	14	4359486.50	14	4383810	16
302554	20, 22, 24	4359746	38	4385206	34
400227	34	4359826.50	18	4385547.25	36
400871	10	4359847.52	12	4386924.25	36
400886	38	4359848.50	14	4387366	20, 22, 24
400956	8	4360226.50	12	4387846	34
401052	18	4360306.50	14	4387967	38
401323	36	4360646	14	4388168.50	18
401410	8	4360688.50	32	4388268	34
401590	34	4360689.25	34	4389047	10
401833L	34	4361547	16	4389131	38
401885	10	4361548	16	4389157	34
401886	10	4362887	20, 22, 24	4389366	28
401998	38	4363566.50	10	4389467	28
402005	36	4363766	34	4389605	28
402042	36	4364028	34	4389727	5
402052	36	4364030	34	4390110	12
402056	36	4364126	36	4391666	36
402063	36	4364127.50	36	4391706	36
40213	38	4364206.25	20, 22, 24	4391726	36
4130134	34	4364746.25	12	4393987	34
4174684	34	4365027.50	10	4394046	36
4221120	38	4365686	18	4394047	36
4347406	18	4366866	12	439468	28
4347426	18	4367208	38	441668	20, 22, 24
4347427	18	4367286.50	28	500013	18
4350187.51	18	4367287.50	28	500017	34
4350307.50	18	4367288.50	28	500192	36
4350726	20, 22, 24	4367290.25	28	500194	34
4350806.52	20, 22, 24	4368426.50	28	500197	34

Index

500239	36	B-257	14	K	
500240	36	B-259	28	K-116	30, 32
500243	34	B-275	28	K-118	14
600072	34	B-289	38	N	
600398	38	B-294	10	N-102	30, 32, 34, 36
600399	38	B-304	16, 20, 22, 24	N-103	32
600422	30, 32	B-328	30, 32	N-108	36
600436	32	B-337	20, 22, 24	N-113	10
600584	30	B-338	8, 36	N-144	18, 28, 36
600585	30	B-348	8	N-152	36
600586	30	B-353	8	N-153	8, 36
600588	32	B-364	28	N-156	8, 14
600589	30	B-366	28, 36	N-169	18
600592	32	B-369	28	N-176	14, 36
600605	38	B-374	20, 22, 24	N-183	8
65409	5	B-382	28	N-204	18
67205	8	B-390	12, 36	N-212	30
67258	12	B-400	36	N-215	18
800976	5	B-403	14	N-216	8, 10, 12, 18, 20, 22, 24, 28, 38
800977	5	B-433	18	N-217	16, 20, 22, 24, 28, 34, 36
800978	5	B-434	18	N-218	14, 18
800985	34	B-436	30, 32	N-219	12, 14, 16, 20, 22, 24, 30, 32, 34, 36, 38
800987	5	B-437	38	N-223	8, 10
900068	36, 38	B-438	12	N-225	18
900069	36	B-439	14	N-226	18
900309	30, 32	B-441	34	N-237	14
900342	8	B-445	14	N-238	12
900396	36	C		N-241	12
901509	32	C-105	34	P	
902038	30	C-112	30, 32	P-102	16
902602	36	C-113	36	P-151	10
97171	8	C-116	12	P-167	14
97390	28	C-122	30, 32	P-179	12
B		C-125	38	P-180	34
B-102	12, 34, 36	C-128	12	P-181	14
B-103	34	C-131	14	S	
B-104	16	D		S-115	32
B-107	16, 34	DUP-301413	28	W	
B-108	20, 28	DUP-301736	28	W-102	20, 22, 24, 34, 36
B-122	8	DUP-400090	18	W-104	18, 28, 30
B-135	8, 12, 20, 22, 24, 28, 38	DUP-400266	34	W-106	10, 20, 22, 24
B-136	8, 18	DUP-400338	8	W-111	28
B-137	36	DUP-400438	8	W-113	16, 28, 34
B-139	10	DUP-401207	38	W-125	12
B-140	10	DUP-500053	34	W-144	30, 32
B-158	12, 18	DUP-600583	30	W-152	34
B-172	30, 32, 36	DUP-600595	38	W-153	30, 32, 34, 38
B-190	20, 22, 24	DUP-800722	5	W-158	30, 32
B-203	34	DUP-800723	5	W-161	30
B-208	20, 22, 24	F		W-163	30, 32
B-209	30, 32, 34, 38	F-100	8		
B-220	30	F-109	14		
B-223	10, 20, 22, 24				

Index

W-166 14
W-167 12
W-197 8
W-212 18

Index



DIXIE CHOPPER
6302 E. County Road 100 N.
Coatesville, Indiana 46121
www.dixiechopper.com

Specifications and instructions subject to change without notice.

Dixie Chopper is a registered trademark of Jacobsen Professional Lawn Care Inc.
any and all use and/or reproductions are strictly prohibited.

Printed In USA